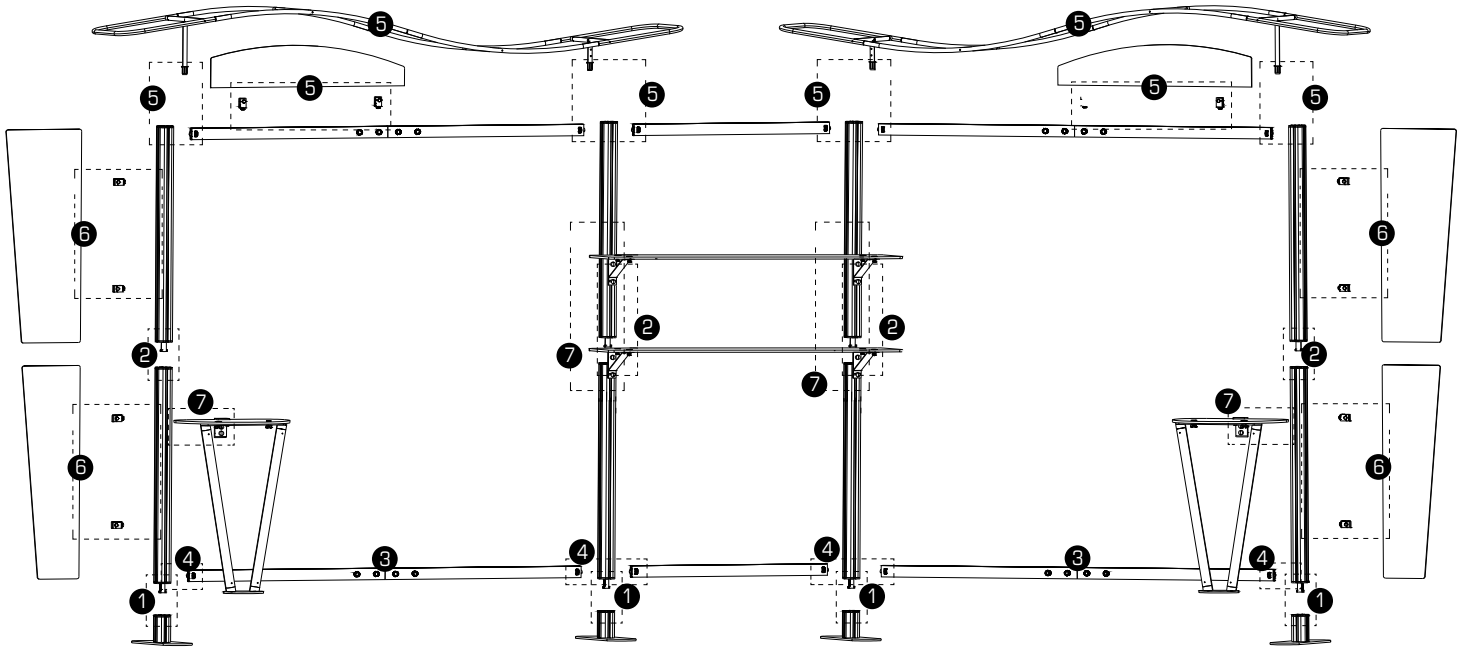
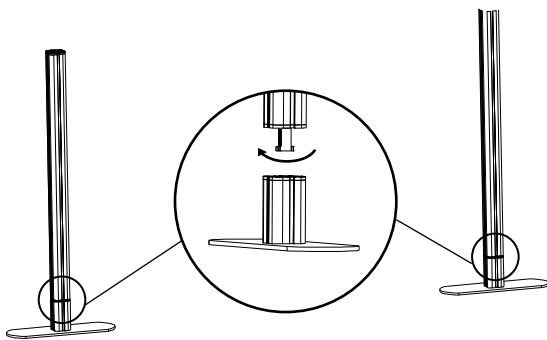


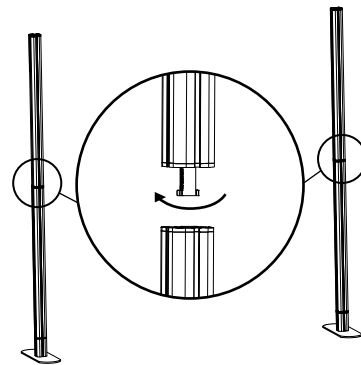
## Frame Assembly



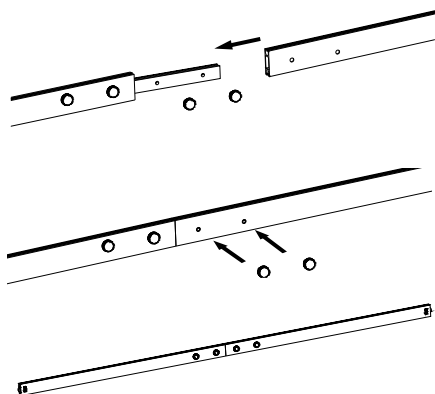
Key: Numbers [#] represents steps



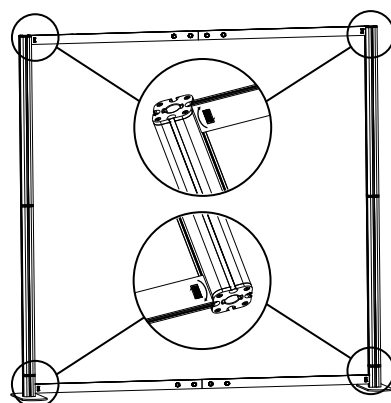
**STEP 1**



**STEP 2**



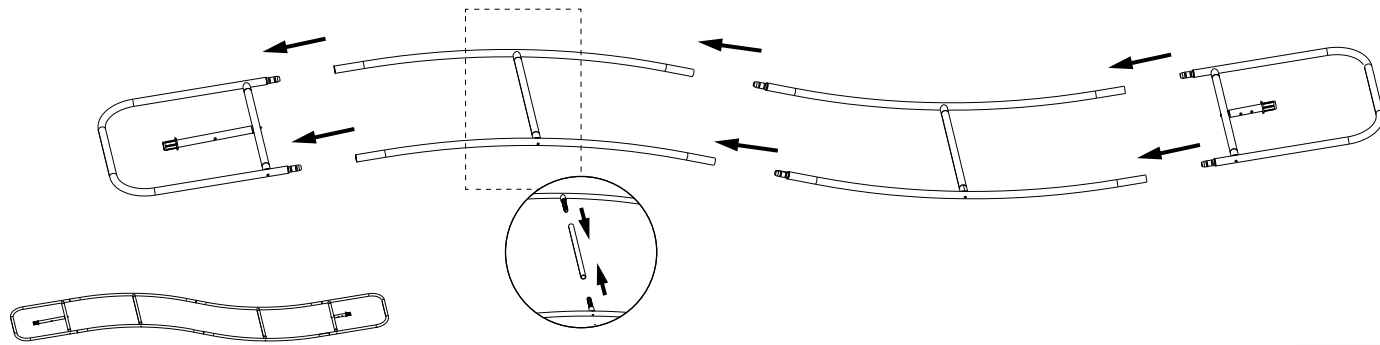
**STEP 3**



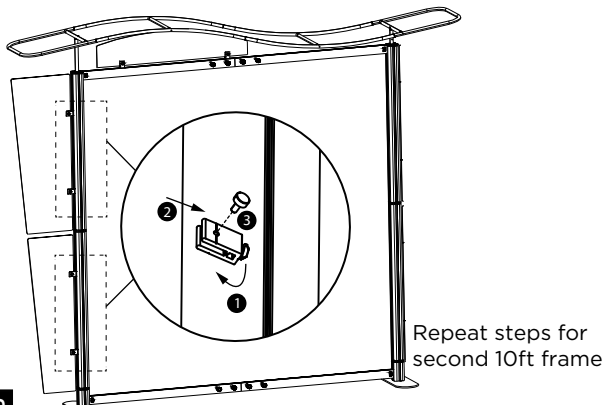
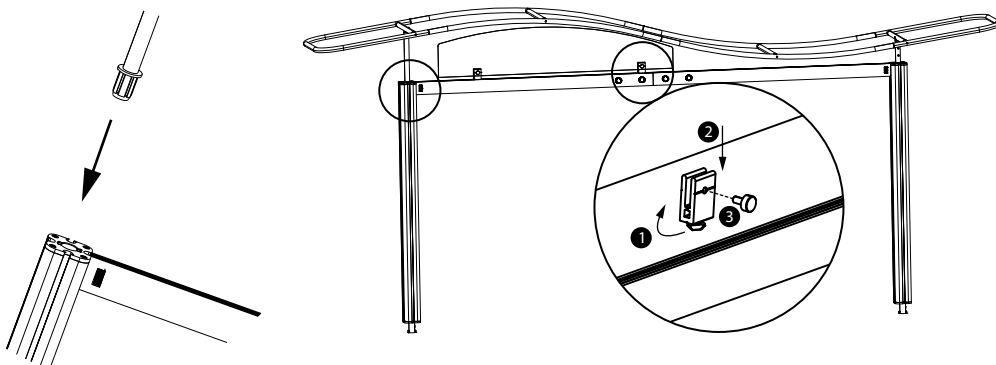
**STEP 4**

# 20 FT TAHOE TWISTLOCK INSTRUCTION

## Arch Frame

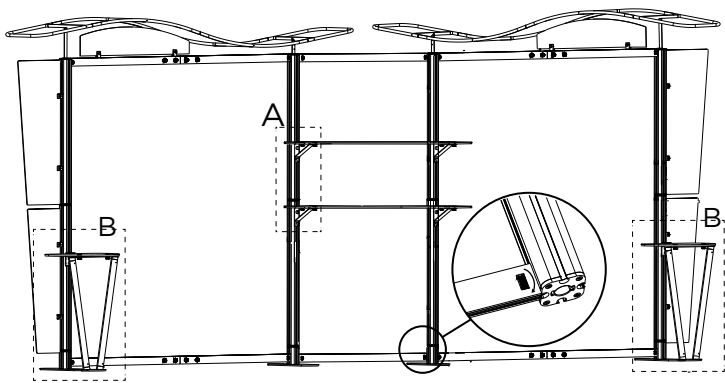


**STEP 5**



Repeat steps for second 10ft frame

**STEP 6**



**STEP 7**

Completed Display

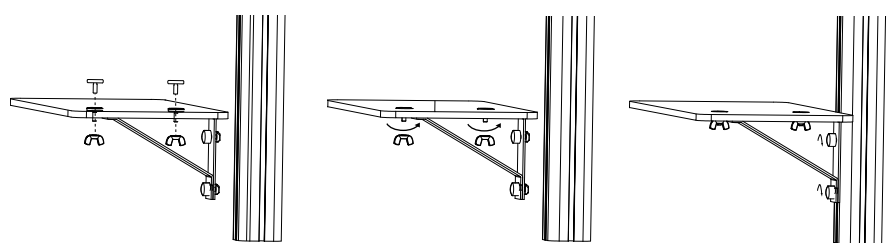


Table A

Table B

