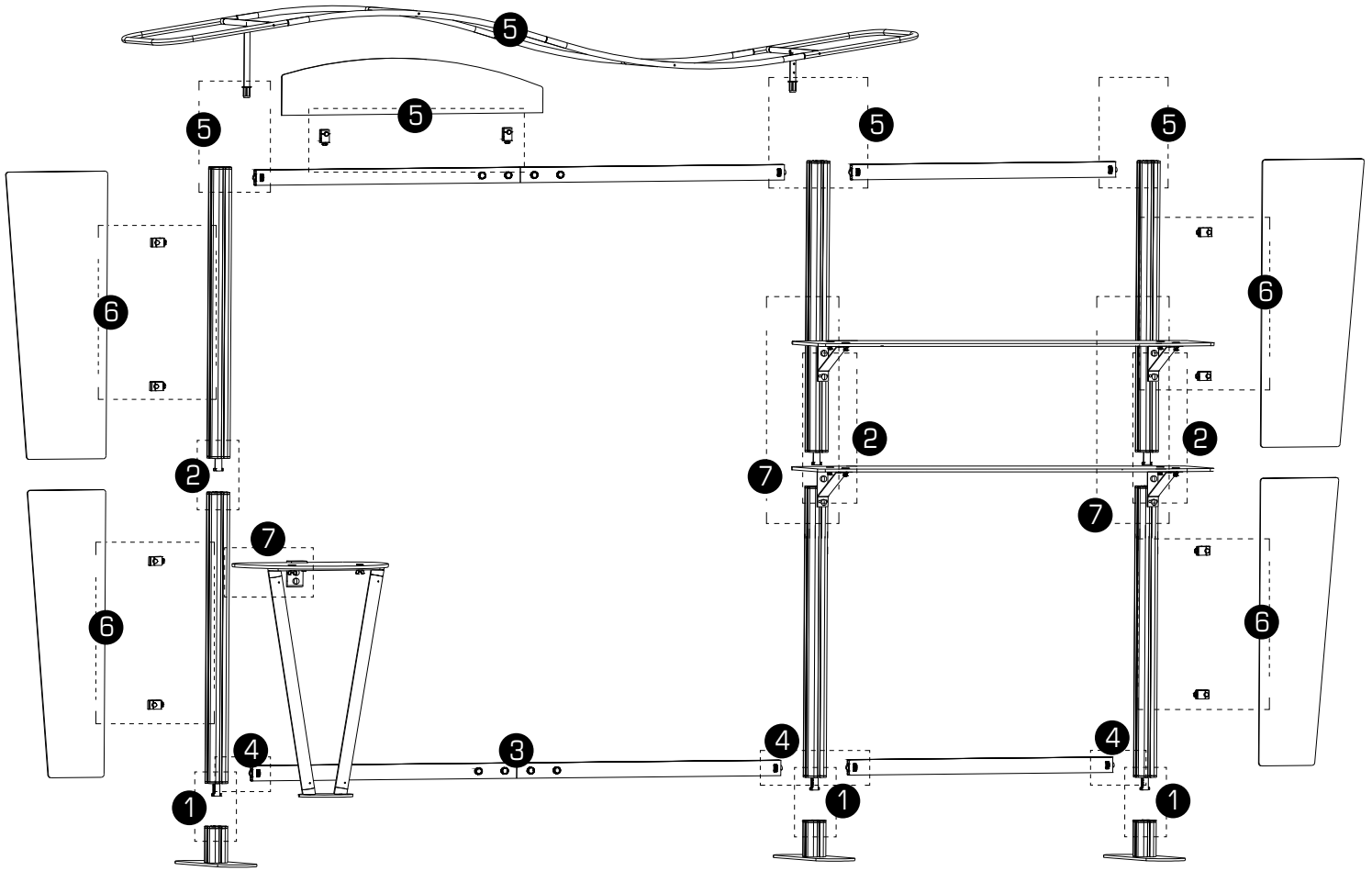
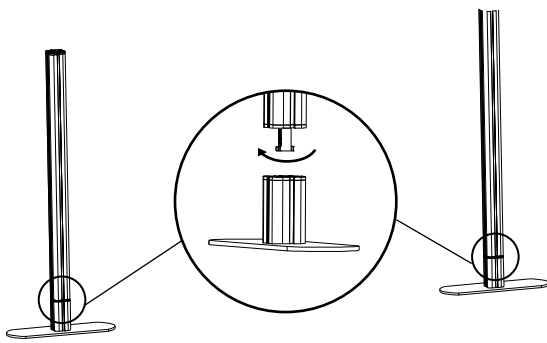


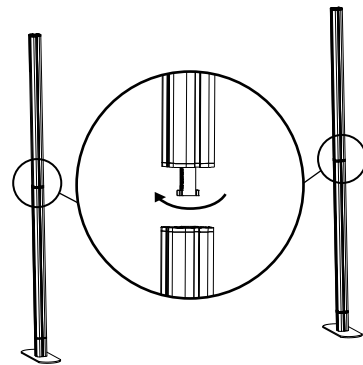
## Frame Assembly



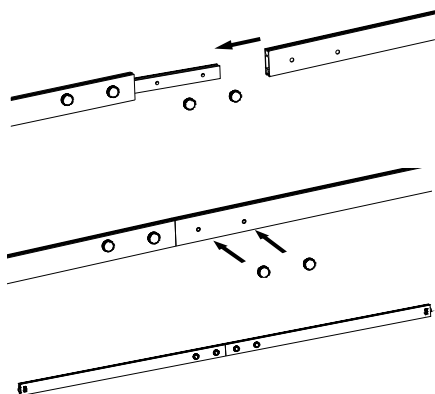
Key: Numbers [ # ] represents steps



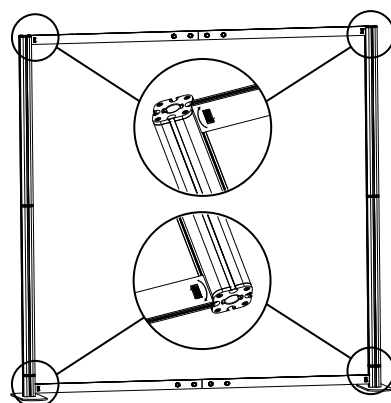
**STEP 1**



**STEP 2**



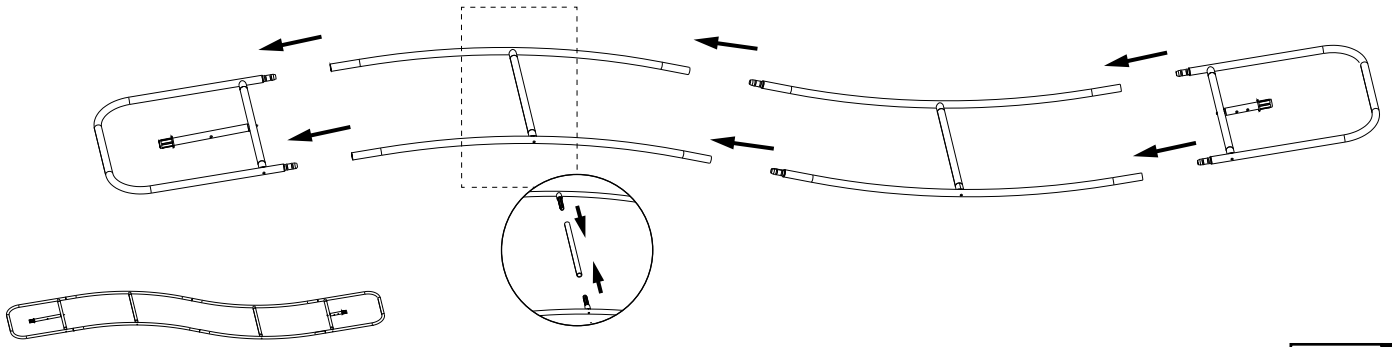
**STEP 3**



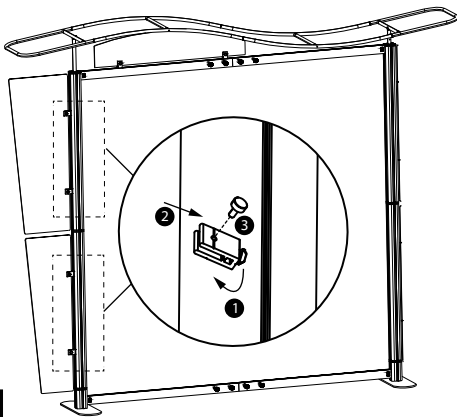
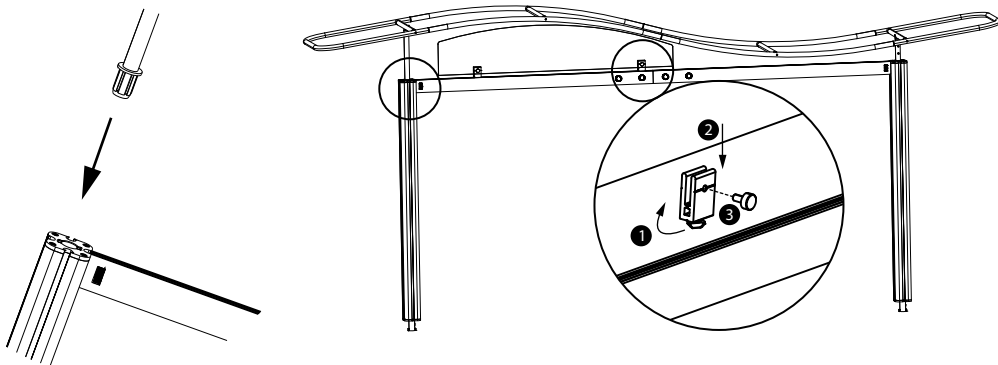
**STEP 4**

# 13 FT TAHOE TWISTLOCK INSTRUCTION

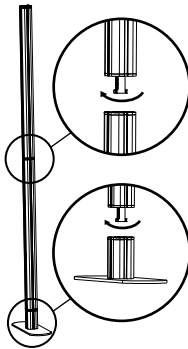
## Arch Frame



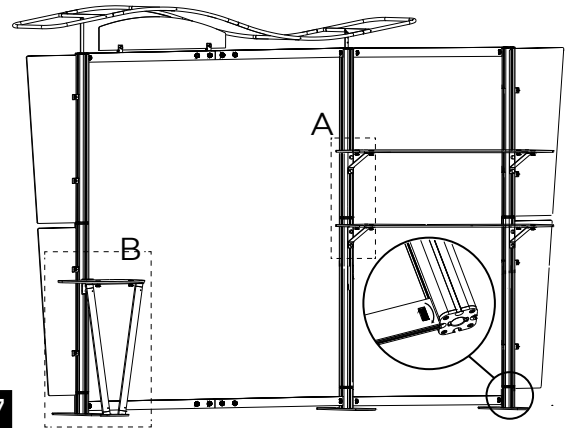
**STEP 5**



**STEP 6**



**STEP 7**



Completed Display

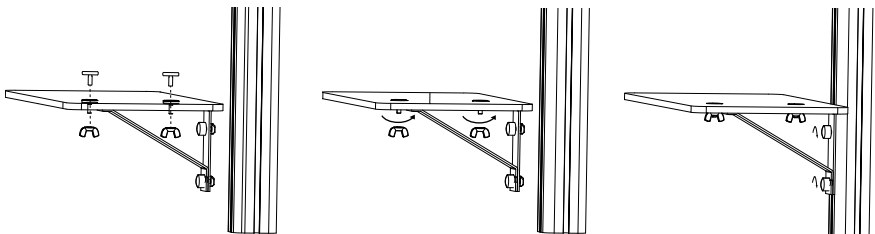


Table A

Table B

