

## TEMPLATE KEY

### FINISHED SIZE

See Banner Sizes Below

### SAFE AREA

3.5" from finished edge

— = PIN SLOT

Using PMS colors in your art is recommended but an exact match cannot be guaranteed.

BANNER D: 26.75"W x 56"H

QTY: 1

BANNER H: 26.75"W x 90.875"H

QTY: 2

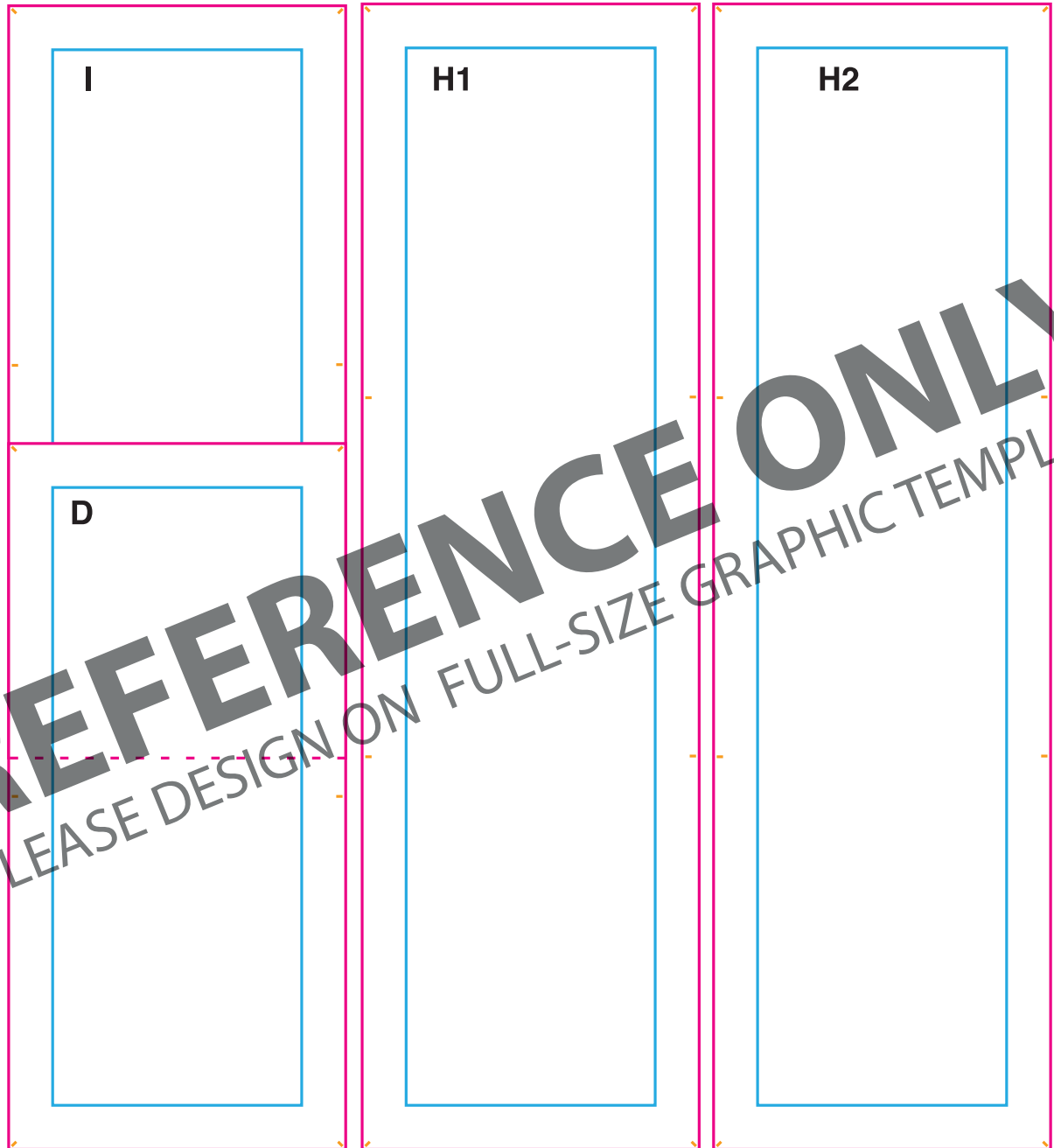
BANNER I: 26.75"W x 59.688"H

QTY: 1

### IMPORTANT NOTE:

- THIS TEMPLATE SHOWS PRINT LAYOUT ONLY.
- EACH BANNER HAS ITS OWN UNIQUE ANGLE AND STRETCH WHEN ATTACHED TO THE FRAME.
- IT IS HIGHLY RECOMMENDED TO KEEP TEXT AND LOGOS WITHIN THE SAFE AREA TO AVOID DISTORTION.

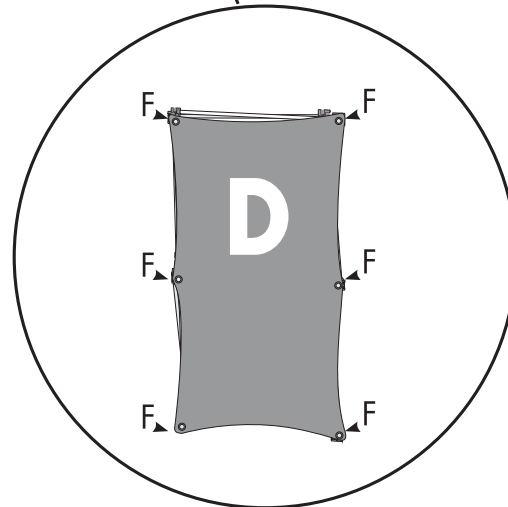
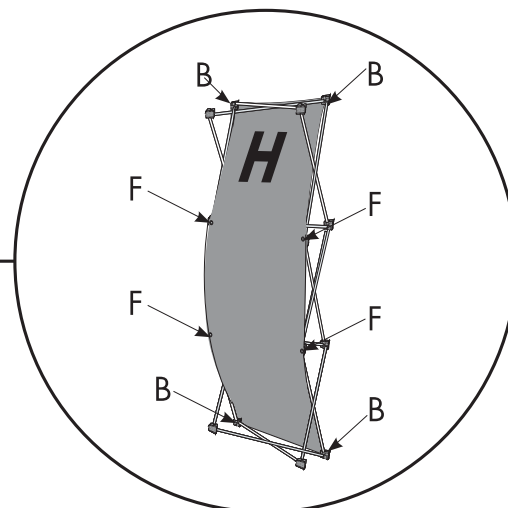
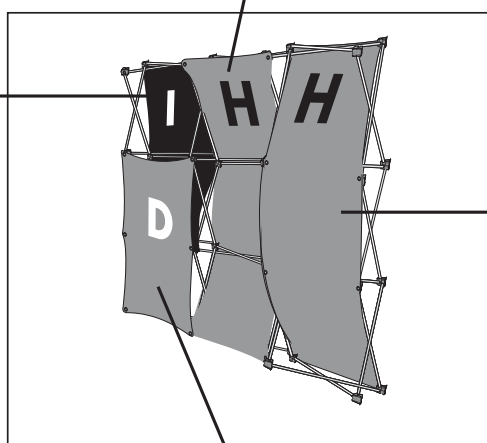
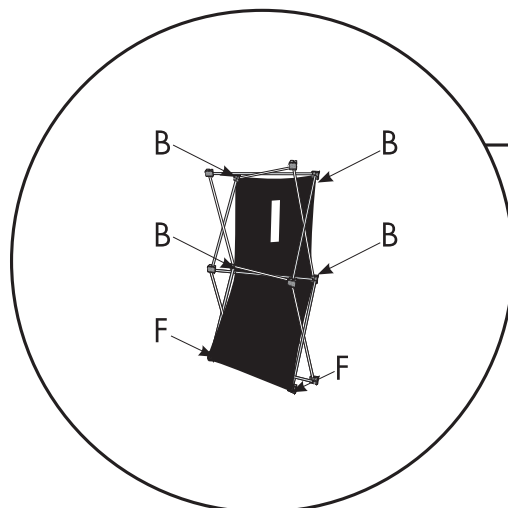
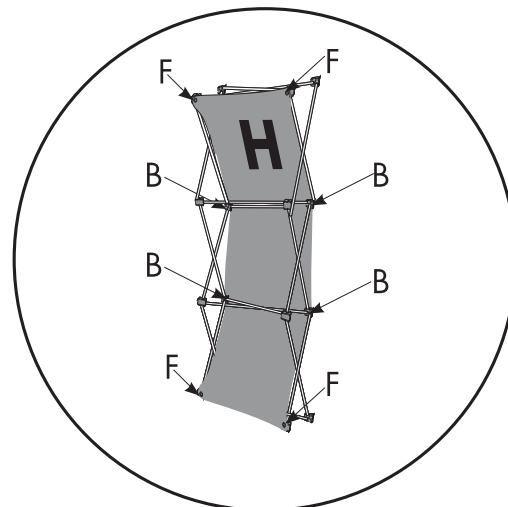
SEE PAGE 2 FOR REPRESENTATION  
OF POSITION ON FRAME



EACH BANNER IS FABRICATED  
TO FIT A SPECIFIC ANGLE/POSI-  
TION ON THE FRAME.

B=BACK  
F=FRONT

Item# 342008, 342009



**PLEASE DELETE THIS LAYER  
BEFORE SAVING**

**All images must be embedded  
All fonts must be outlined**

**FINISHED AREA - 26.75"W x 56"H**

VISIBLE WHEN DISPLAYED

**SAFE AREA - 19.75"W x 49"H**

KEEP IMPORTANT TEXT/LOGOS WITHIN THIS AREA

**PLEASE DELETE THIS LAYER  
BEFORE SAVING**

**All images must be embedded  
All fonts must be outlined**

**Submit 2 Art Files  
Labeled H1 & H2**

**FINISHED AREA - 26.75"W x 90.875"H**

VISIBLE WHEN DISPLAYED

**SAFE AREA - 19.75"W x 83.875"H**

KEEP IMPORTANT TEXT/LOGOS WITHIN THIS AREA

**PLEASE DELETE THIS LAYER  
BEFORE SAVING**

**All images must be embedded  
All fonts must be outlined**

**FINISHED AREA - 26.75"W x 59.688"H**

VISIBLE WHEN DISPLAYED

**SAFE AREA - 19.75"W x 52.688"H**

KEEP IMPORTANT TEXT/LOGOS WITHIN THIS AREA