

TEMPLATE KEY

FINISHED SIZE

See Banner Sizes Below

SAFE AREA

3.5" from finished edge

— = PIN SLOT

Using PMS colors in your art is recommended but an exact match cannot be guaranteed.

BANNER A: 26.75"W x 28.5"H

QTY: 4

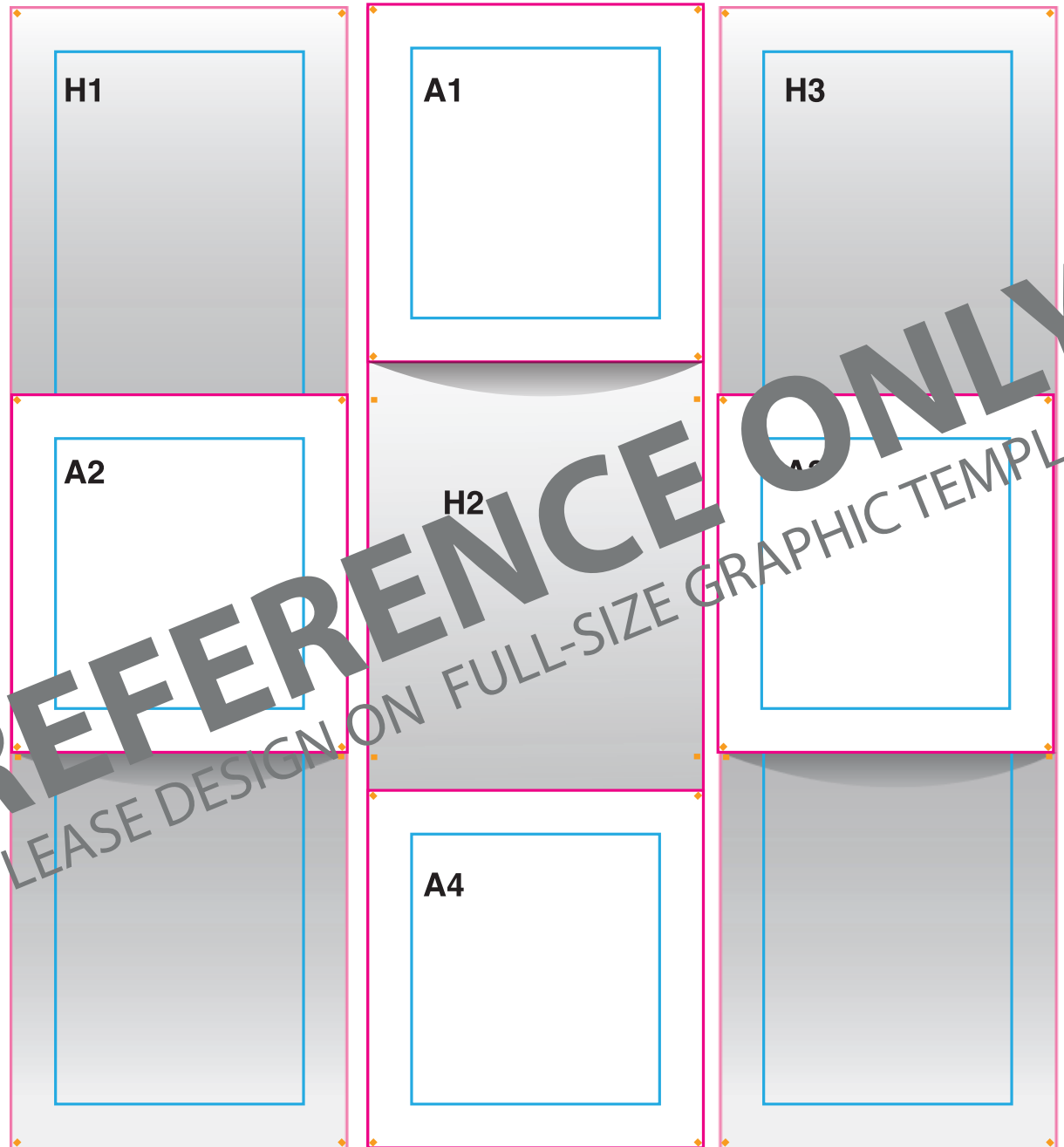
BANNER H: 26.75"W x 90.875"H

QTY: 3

IMPORTANT NOTE:

- THIS TEMPLATE SHOWS PRINT LAYOUT ONLY.
- EACH BANNER HAS ITS OWN UNIQUE ANGLE AND STRETCH WHEN ATTACHED TO THE FRAME.
- IT IS HIGHLY RECOMMENDED TO KEEP TEXT AND LOGOS WITHIN THE SAFE AREA TO AVOID DISTORTION.

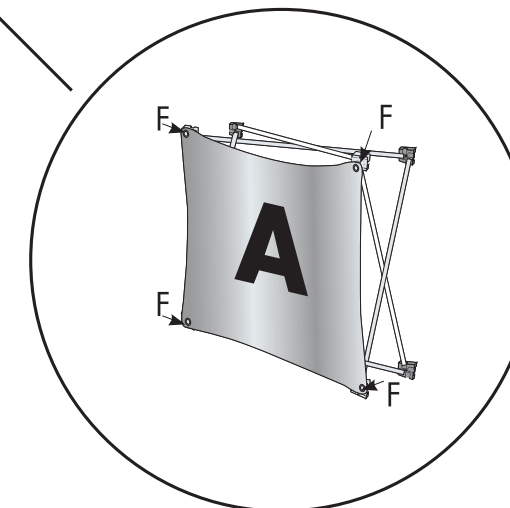
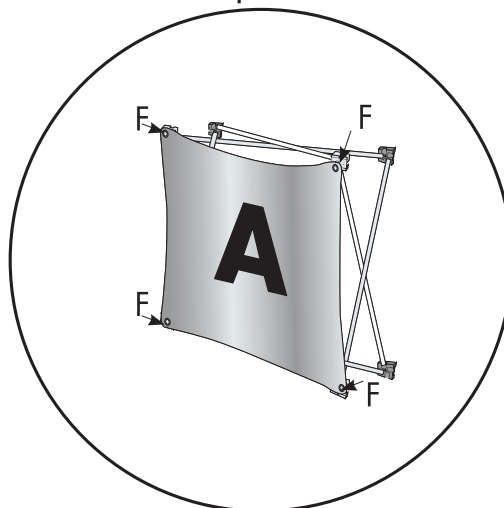
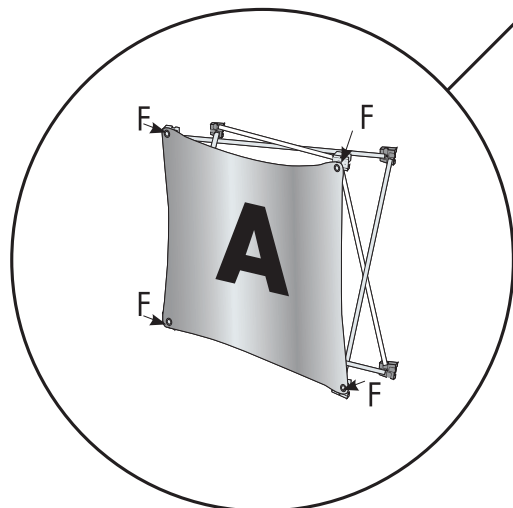
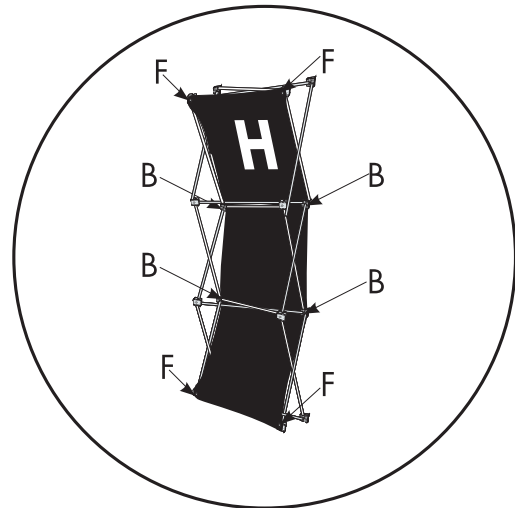
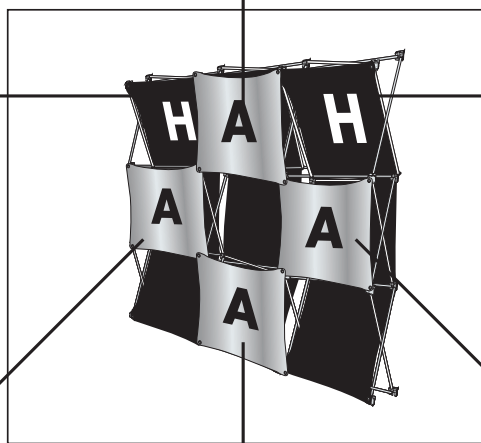
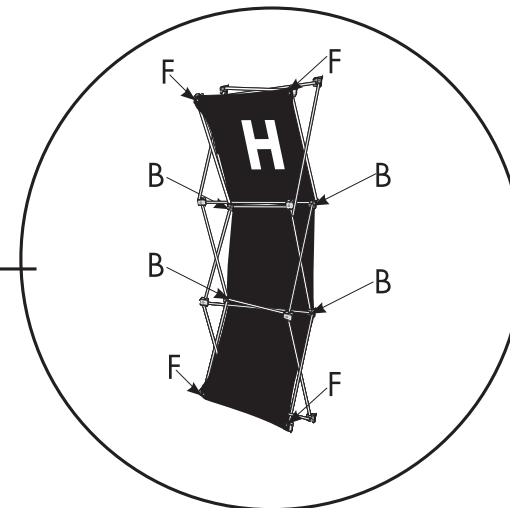
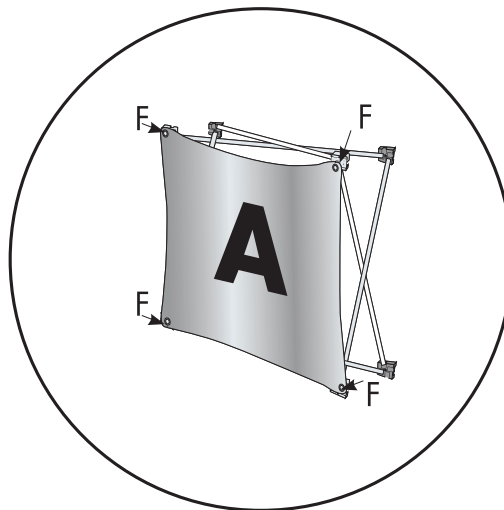
SEE PAGE 2 FOR REPRESENTATION
OF POSITION ON FRAME



EACH BANNER IS FABRICATED
TO FIT A SPECIFIC ANGLE/POSI-
TION ON THE FRAME.

B=BACK
F=FRONT

Item# 342002, 342003, 338084



Banner A

**PLEASE DELETE THIS LAYER
BEFORE SAVING**

**All images must be embedded
All fonts must be outlined**

**Submit 4 Art Files
Labeled A1-A4**

FINISHED AREA - 26.75"W x 28.5"H

VISIBLE WHEN DISPLAYED

SAFE AREA - 19.75"W x 21.5"H

KEEP IMPORTANT TEXT/LOGOS WITHIN THIS AREA

**PLEASE DELETE THIS LAYER
BEFORE SAVING**

**All images must be embedded
All fonts must be outlined**

**Submit 3 Art Files
Labeled H1-H3**

FINISHED AREA - 26.75"W x 90.875"H

VISIBLE WHEN DISPLAYED

SAFE AREA - 19.75"W x 83.875"H

KEEP IMPORTANT TEXT/LOGOS WITHIN THIS AREA