

TEMPLATE KEY

FINISHED SIZE

See Banner Sizes Below

SAFE AREA

2.5" from finished edge

— = PIN SLOT

Using PMS colors in your art is recommended but an exact match cannot be guaranteed.

BANNER C: 15.9" x 14.37"

QTY: 2

BANNER E: 26.88" x 14.37"

QTY: 1

BANNER G 19.04" x 20.36"

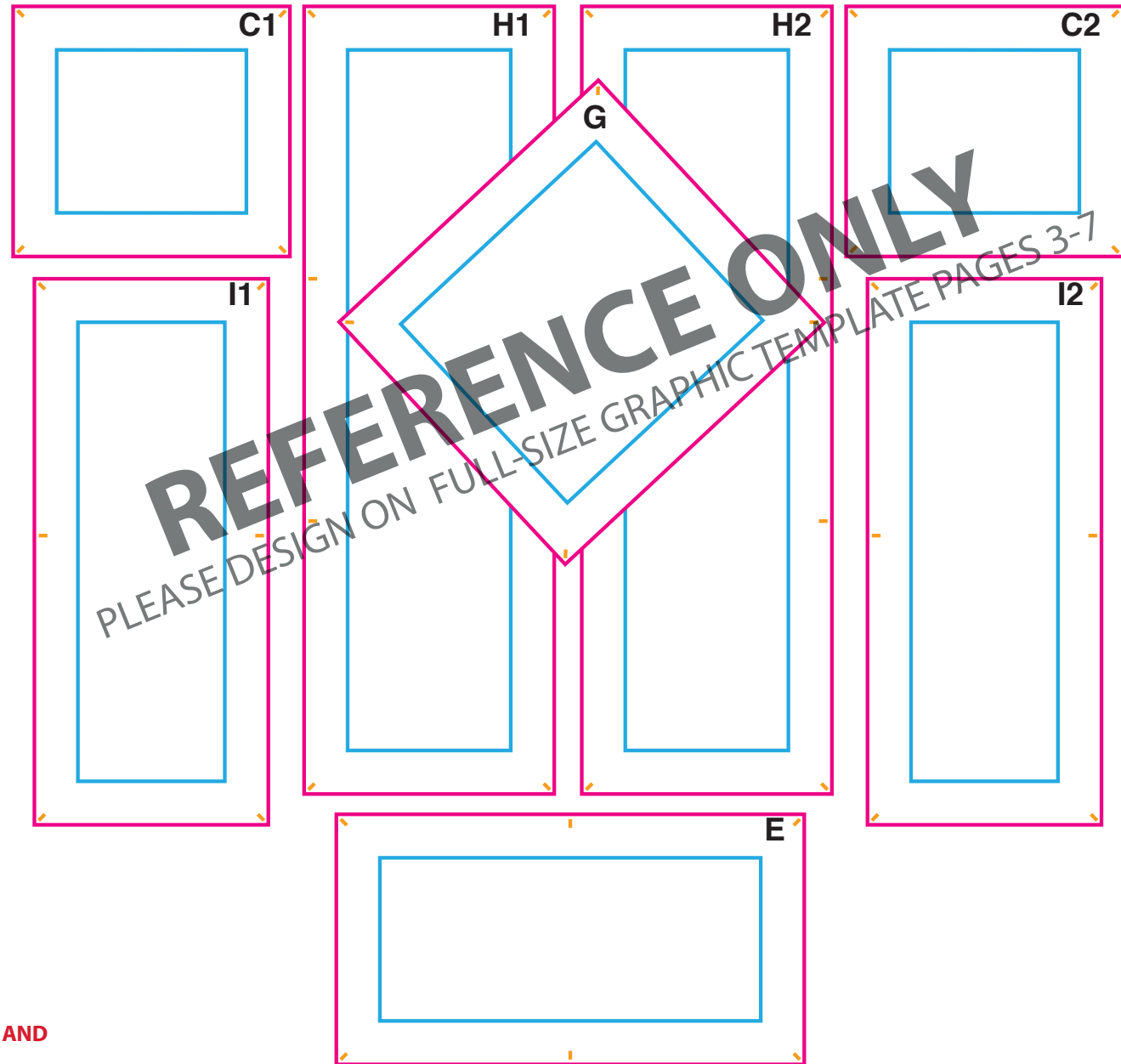
QTY: 1

BANNER H 14.37" x 45.25"

QTY: 2

BANNER I 13.44" x 31.37"

QTY: 2



IMPORTANT NOTE:

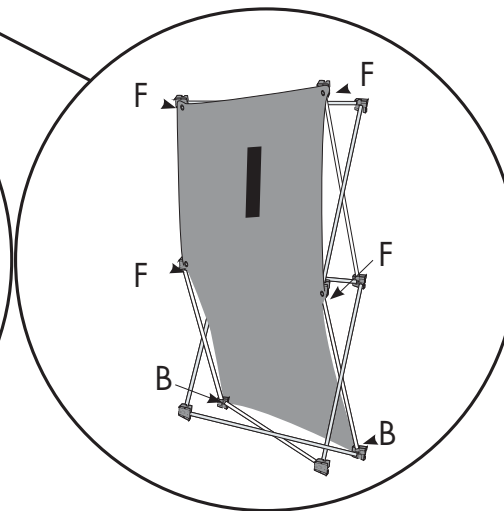
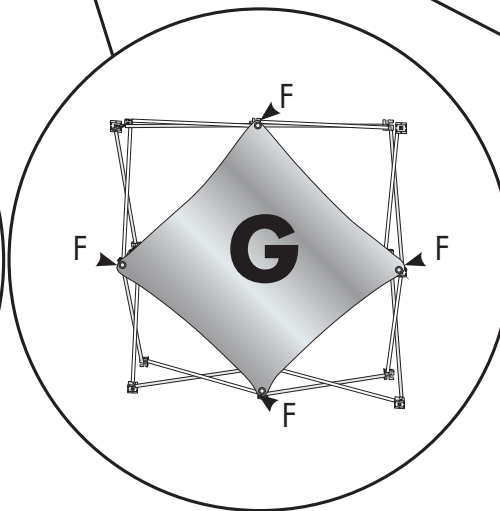
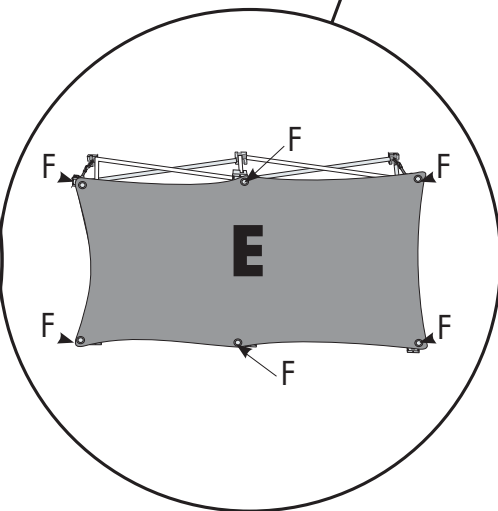
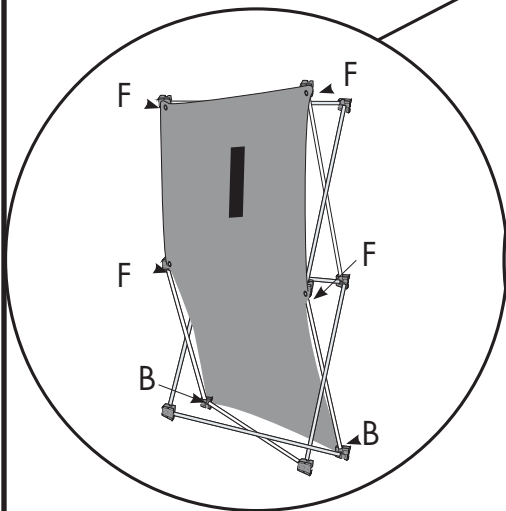
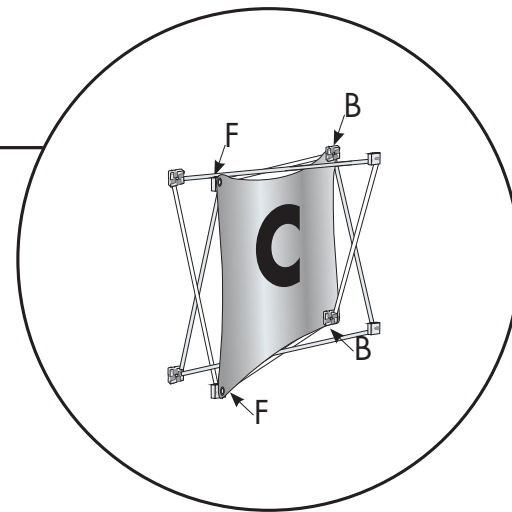
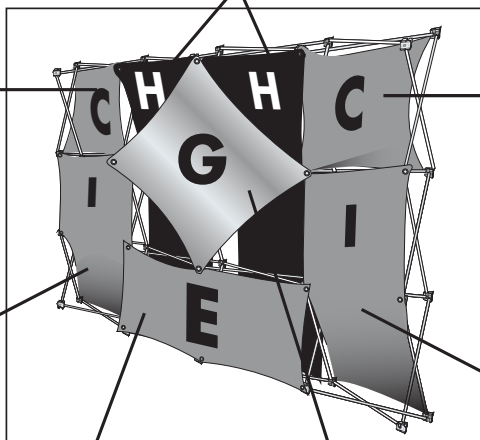
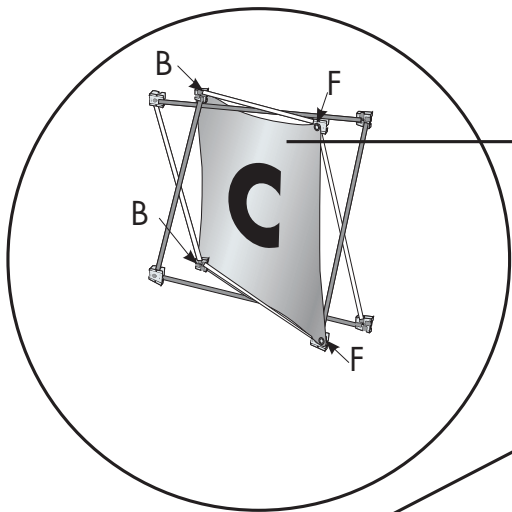
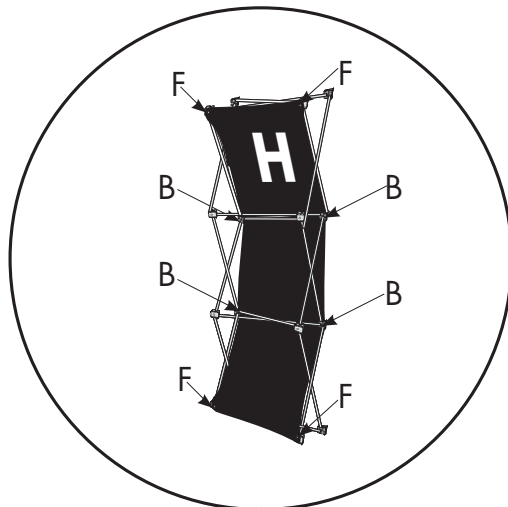
- THIS TEMPLATE SHOWS PRINT LAYOUT ONLY.
- EACH BANNER HAS ITS OWN UNIQUE ANGLE AND STRETCH WHEN ATTACHED TO THE FRAME.
- IT IS HIGHLY RECOMMENDED TO KEEP TEXT AND LOGOS WITHIN THE SAFE AREA TO AVOID DISTORTION.

SEE PAGE 2 FOR REPRESENTATION
OF POSITION ON FRAME

EACH BANNER IS FABRICATED TO FIT A SPECIFIC ANGLE/POSITION ON THE FRAME.

B=BACK
F=FRONT

Item# 337211, 337224



**PLEASE DELETE THIS LAYER
BEFORE SAVING**

**All images must be embedded
All fonts must be outlined**

**Submit 2 Art Files
Labeled C1 & C2**

FINISHED AREA - 15.9"W x 14.37"H

VISIBLE WHEN DISPLAYED

SAFE AREA - 10.9"W x 9.37"H

KEEP IMPORTANT TEXT/LOGOS WITHIN THIS AREA

**PLEASE DELETE THIS LAYER
BEFORE SAVING**

**All images must be embedded
All fonts must be outlined**

FINISHED AREA - 26.88"W x 14.37"H

VISIBLE WHEN DISPLAYED

SAFE AREA - 21.88"W x 9.37"H

KEEP IMPORTANT TEXT/LOGOS WITHIN THIS AREA

**Banner G
(-47°)**

20.36"

**PLEASE DELETE THIS LAYER
BEFORE SAVING**

**All images must be embedded
All fonts must be outlined**

FINISHED AREA - 19.04"W x 20.36"H

VISIBLE WHEN DISPLAYED

SAFE AREA - 14.04"W x 15.36"H

KEEP IMPORTANT TEXT/LOGOS WITHIN THIS AREA

19.04"

**PLEASE DELETE THIS LAYER
BEFORE SAVING**

**All images must be embedded
All fonts must be outlined**

**Submit 2 Art Files
Labeled H1 & H2**

FINISHED AREA - 14.37"W x 45.25"H

VISIBLE WHEN DISPLAYED

SAFE AREA - 9.37"W x 40.25"H

KEEP IMPORTANT TEXT/LOGOS WITHIN THIS AREA

**PLEASE DELETE THIS LAYER
BEFORE SAVING**

**All images must be embedded
All fonts must be outlined**

**Submit 2 Art Files
Labeled I1 & I2**

FINISHED AREA - 13.44"W x 31.37"H

VISIBLE WHEN DISPLAYED

SAFE AREA - 8.44"W x 26.37"H

KEEP IMPORTANT TEXT/LOGOS WITHIN THIS AREA