

TEMPLATE KEY

FINISHED SIZE

See Banner Sizes Below

SAFE AREA

2.5" from finished edge

— = PIN SLOT

Using PMS colors in your art is recommended but an exact match cannot be guaranteed.

BANNER A: 13.44" x 14.37"

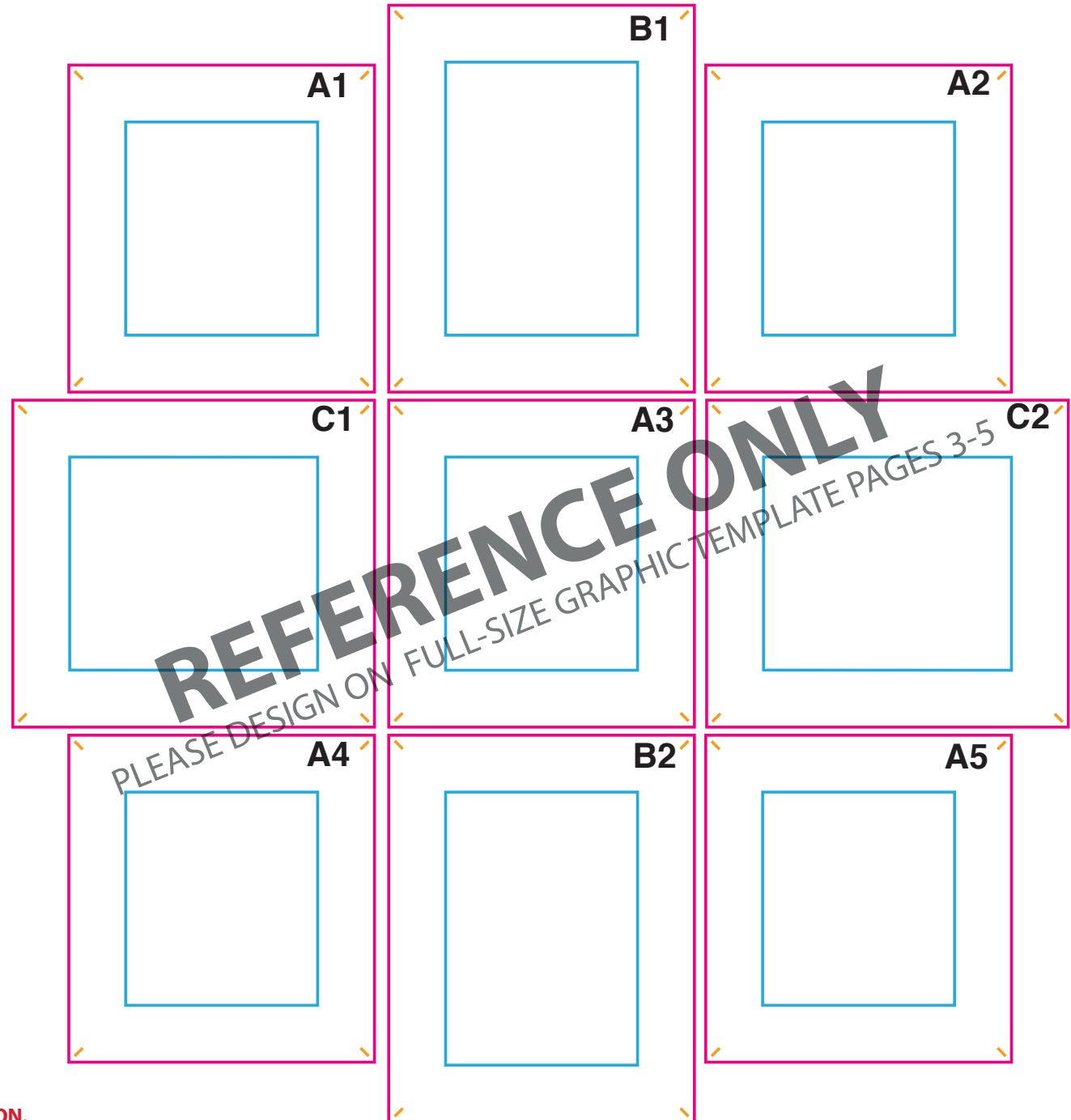
QTY: 5

BANNER B: 13.44" x 17"

QTY: 2

BANNER C: 15.9" x 14.37"

QTY: 2



IMPORTANT NOTE:

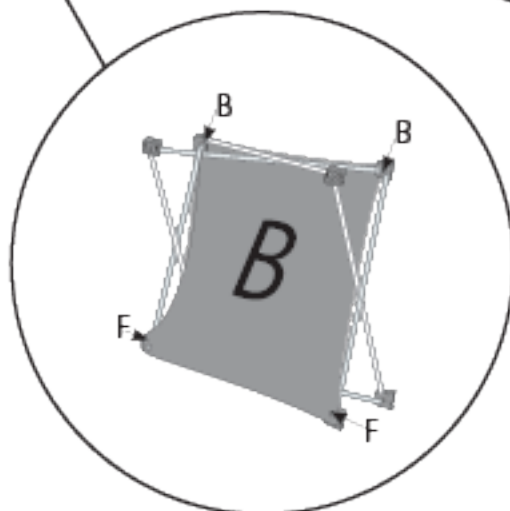
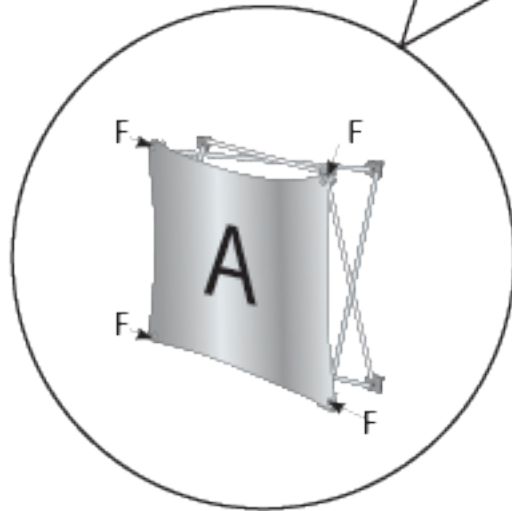
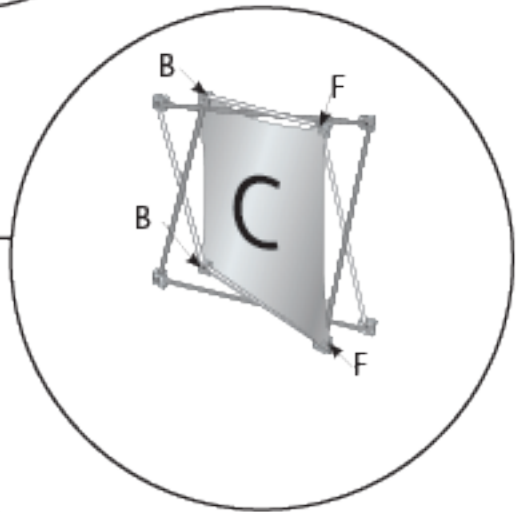
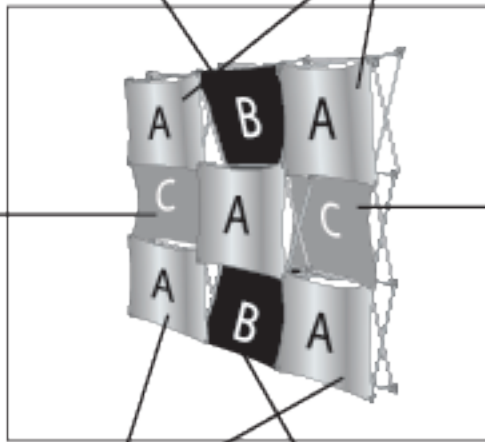
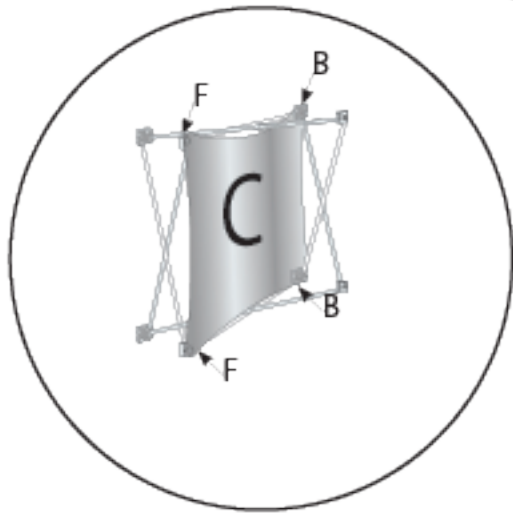
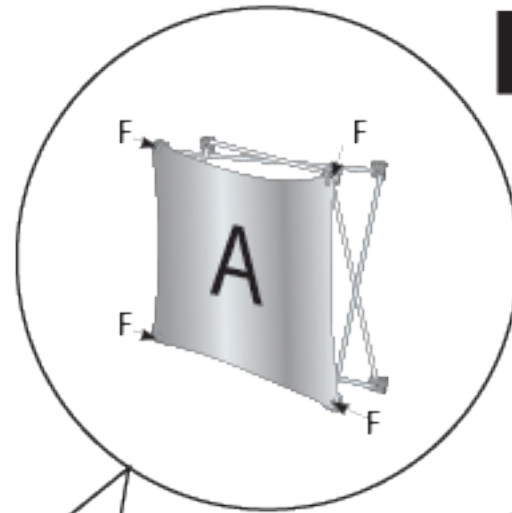
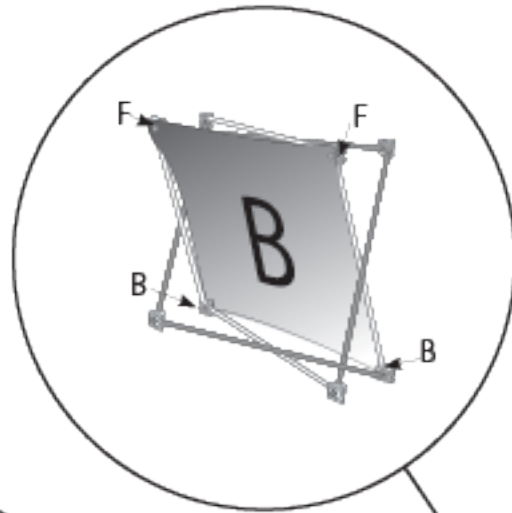
- THIS TEMPLATE SHOWS PRINT LAYOUT ONLY.
- EACH BANNER HAS ITS OWN UNIQUE ANGLE AND STRETCH WHEN ATTACHED TO THE FRAME.
- IT IS HIGHLY RECOMMENDED TO KEEP TEXT AND LOGOS WITHIN THE SAFE AREA TO AVOID DISTORTION.

SEE PAGE 2 FOR REPRESENTATION
OF POSITION ON FRAME

EACH BANNER IS FABRICATED
TO FIT A SPECIFIC ANGLE/POS-
ITION ON THE FRAME.

Item# 337209, 337222

B=BACK
F=FRONT



Banner A

**PLEASE DELETE THIS LAYER
BEFORE SAVING**

**All images must be embedded
All fonts must be outlined**

**Submit 5 Art Files
Labeled A1, A2, A3, A4 & A5**

FINISHED AREA - 13.44"W x 14.37"H

VISIBLE WHEN DISPLAYED

SAFE AREA - 8.44"W x 9.37"H

KEEP IMPORTANT TEXT/LOGOS WITHIN THIS AREA

Banner B

**PLEASE DELETE THIS LAYER
BEFORE SAVING**

**All images must be embedded
All fonts must be outlined**

**Submit 2 Art Files
Labeled B1 & B2**

FINISHED AREA - 13.44"W x 17"H

VISIBLE WHEN DISPLAYED

SAFE AREA - 8.44"W x 12"H

KEEP IMPORTANT TEXT/LOGOS WITHIN THIS AREA

**PLEASE DELETE THIS LAYER
BEFORE SAVING**

**All images must be embedded
All fonts must be outlined**

**Submit 2 Art Files
Labeled C1 & C2**

FINISHED AREA - 15.9"W x 14.37"H

VISIBLE WHEN DISPLAYED

SAFE AREA - 10.9"W x 9.37"H

KEEP IMPORTANT TEXT/LOGOS WITHIN THIS AREA