

SEGO CONFIGURATION J - 20X10

SEGO MODULAR LIGHTBOX DISPLAY
 PRODUCT CODE:SEGO-J-20x10G



On frame On graphic



PRODUCT DESCRIPTION

The advanced technology of the new SEGO modular lightbox system combines innovation with intuition. Toolless down to its feet, SEGO is designed to help heighten your display experience. Magnetic electrical connectors light up the UL certified LED lights that come pre-installed in the profiles. Electrical wires stay hidden from view. Edge-to-edge customizable SEG backlit fabric graphics cover the front and back of the aluminum frame. Portable, configurable, desirable, SEGO is a lightbox unlike the others. SEGO is so well thought out, even its durable foam cut carry bag is made distinctly to keep all parts and pieces protected and organized.

| | |
|--------------------|----------------------------------|
| DISPLAY DIMENSIONS | 236.25"W x 88.25"H x 43.75"D |
| GRAPHIC SIZES | 39.625"W x 88.625"H (each frame) |

GRAPHIC MATERIAL

Dye Sub Backlit Fabric

GRAPHIC FINISHING

Silicone beading sewn onto edge of graphic

DISPLAY CONSTRUCTION

Aluminum extrusion frame with plastic components

SHIPPING WEIGHTS & DIMENSIONS

| | |
|----------------------------|--------------------------|
| Shipping Weight (each box) | 30 lbs (frame only) |
| 9 boxes total | 32 lbs (frame & graphic) |

GRAPHIC TURN AROUND TIME

2 business days after proof approval (up to 2 configurations)

| | |
|--------------|----|
| AVAILABILITY | CA |
|--------------|----|

LED LIGHT SPECIFICATION

| | |
|-----------------------|-----------|
| BRAND | Osram |
| POWER | 3W |
| CCT (COLOR TEMP) | 6800k |
| AVERAGE BEAM ANGEL | 20 ° |
| LM/W | 130 |
| AVG LM/M ² | 4800-5800 |
| VOLTAGE INPUT | 24V |

TRANSFORMER SPECIFICATION

| | |
|---------------------------|-------------|
| POWER RATE 2 TRANSFORMERS | 95W, 252W |
| CERTIFICATES | UL, CE, GEM |
| VOLTAGE INPUT | 100-240V |
| VOLTAGE OUTPUT | 24V |

LUMENS (BACKWALL)

| | |
|-------------|-------|
| VOLTAGE (V) | 24 |
| POWER (W) | 270 |
| LM/W | 130 |
| TOTAL LM | 35100 |
| AVG LM | 5850 |
| CU | .8 |
| EAV | 4680 |

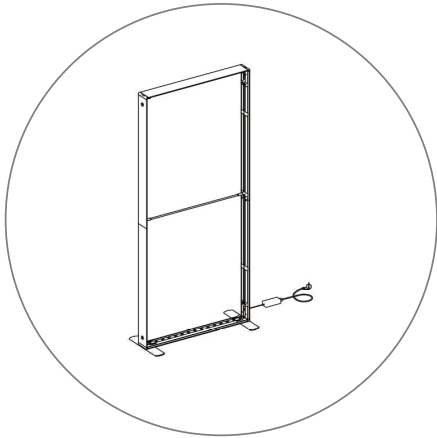
LUMENS (RETURNS)

| | |
|-------------|------|
| VOLTAGE (V) | 24 |
| POWER (W) | 45 |
| LM/W | 130 |
| TOTAL LM | 5850 |
| AVG LM | 5850 |
| CU | .8 |
| EAV | 4680 |

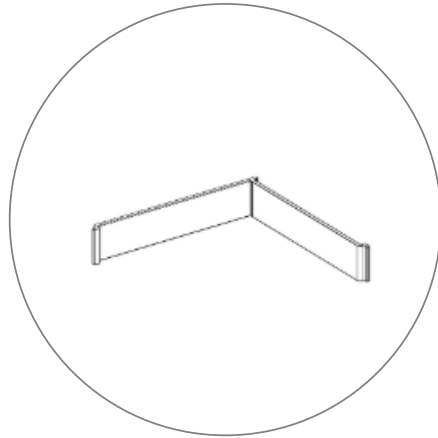
SEGO CONFIGURATION J - 20X10

SEGO MODULAR LIGHTBOX DISPLAY
PRODUCT CODE:SEGO-J-20x10G

PARTS LIST



(qty 9)
SEGO-100X225X12



(qty 8)
SEGO-ILCON



(qty 5)
SEGO-SCON



(qty 3)
SEGO-5MWIRE

SEGO CONFIGURATION J - 20X10

SEGO MODULAR LIGHTBOX DISPLAY
PRODUCT CODE:SEGO-J-20x10G

SEGO Configuration J - 20x10 Template Guide

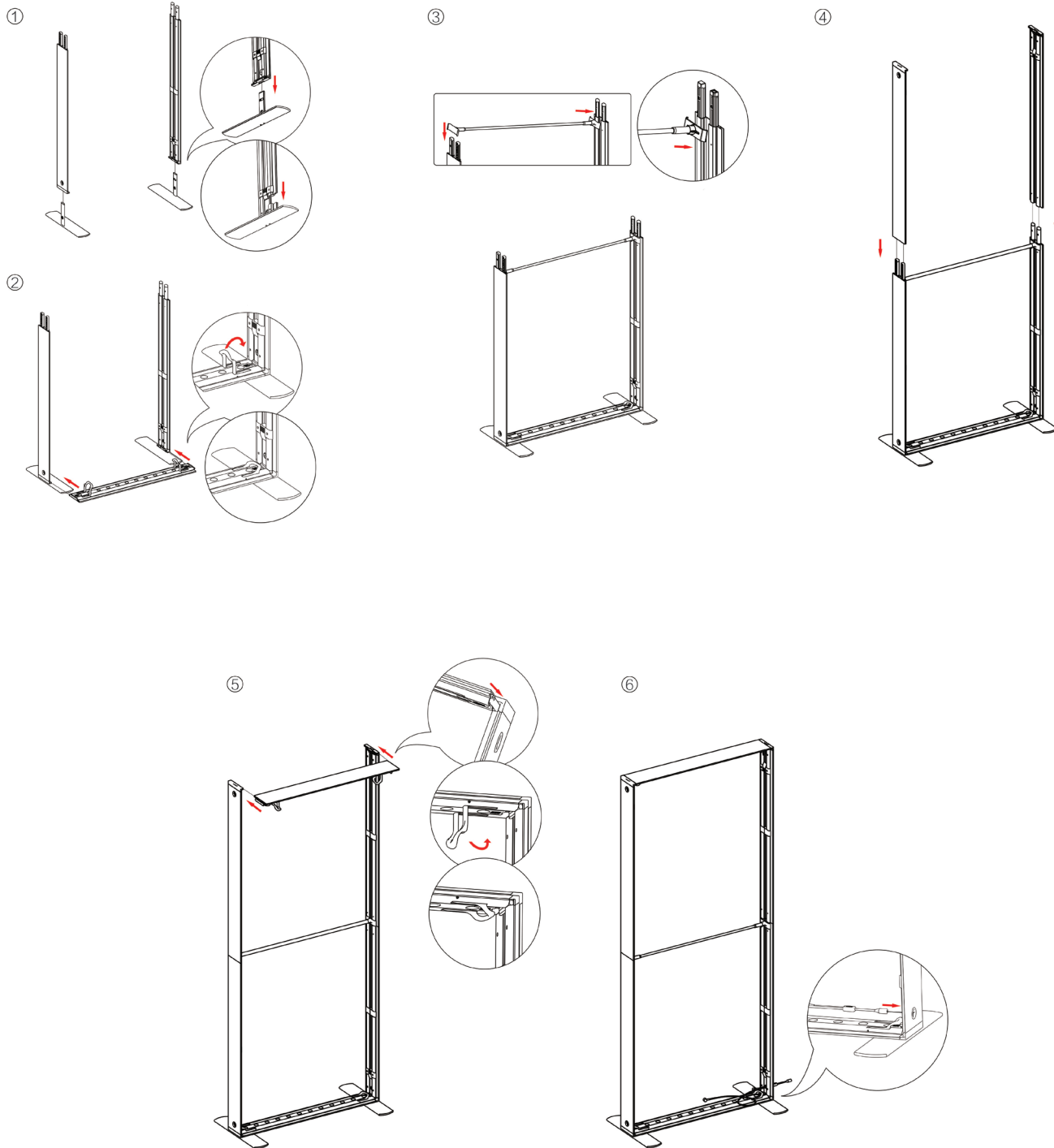


| Frame | Template Dims | Notes |
|-------|------------------|--------------------------------|
| A | 39.75" x 88.625" | - |
| B | 39.75" x 88.625" | - |
| C | 39.75" x 88.625" | - |
| D | 39.75" x 88.625" | - |
| E | 39.75" x 88.625" | - |
| F | 39.75" x 88.625" | Front graphic = blackout panel |
| G | 39.75" x 88.625" | Front graphic = blackout panel |
| H | 39.75" x 88.625" | Back graphic = blackout panel |
| I | 39.75" x 88.625" | Back graphic = blackout panel |

SEGO CONFIGURATION J - 20X10

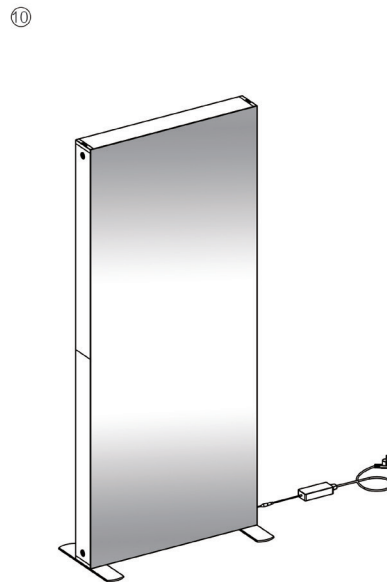
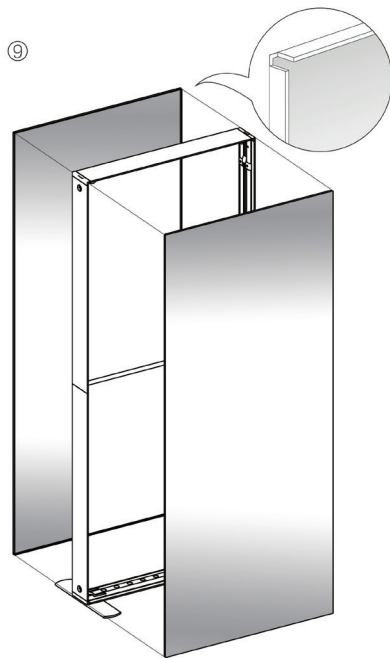
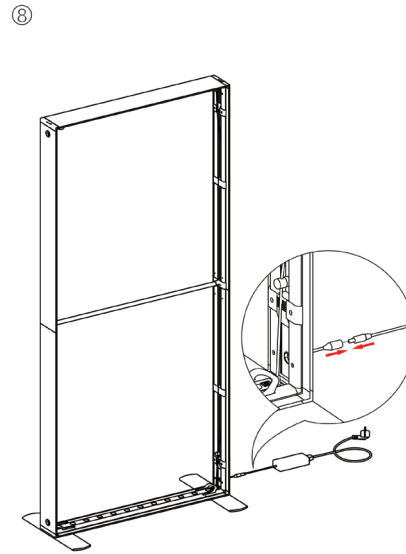
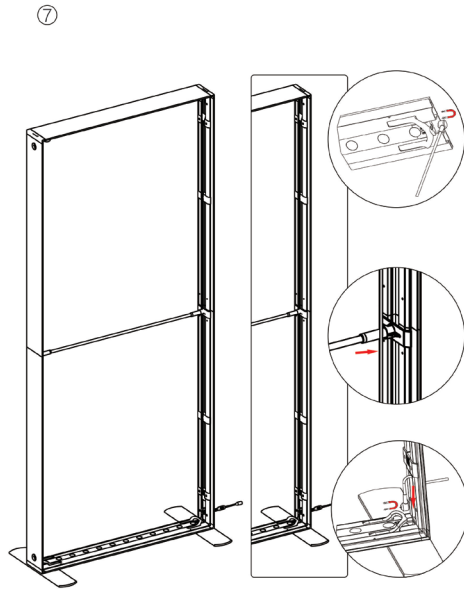
SEGO MODULAR LIGHTBOX DISPLAY
PRODUCT CODE:SEGO-J-20x10G

SET UP INSTRUCTIONS SEGO 100X225 FRAME ASSEMBLY



SEGO CONFIGURATION J - 20X10

SEGO MODULAR LIGHTBOX DISPLAY
PRODUCT CODE:SEGO-J-20x10G

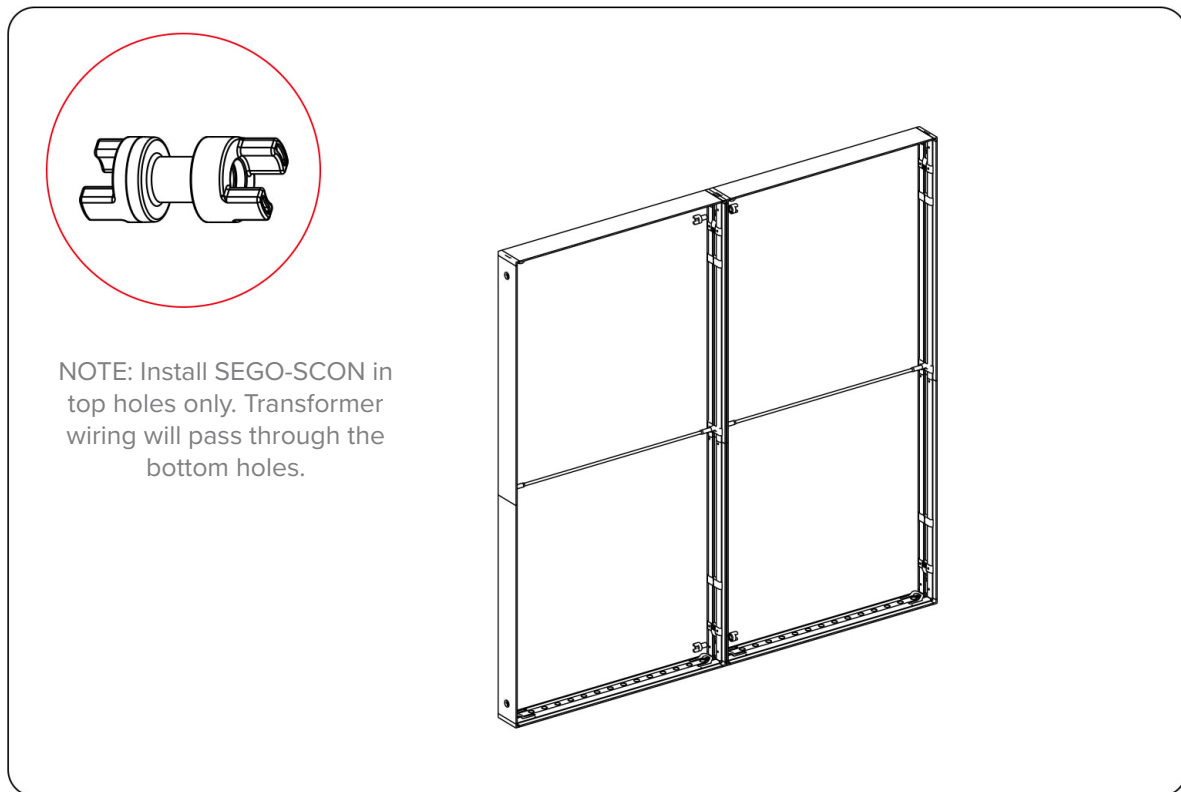
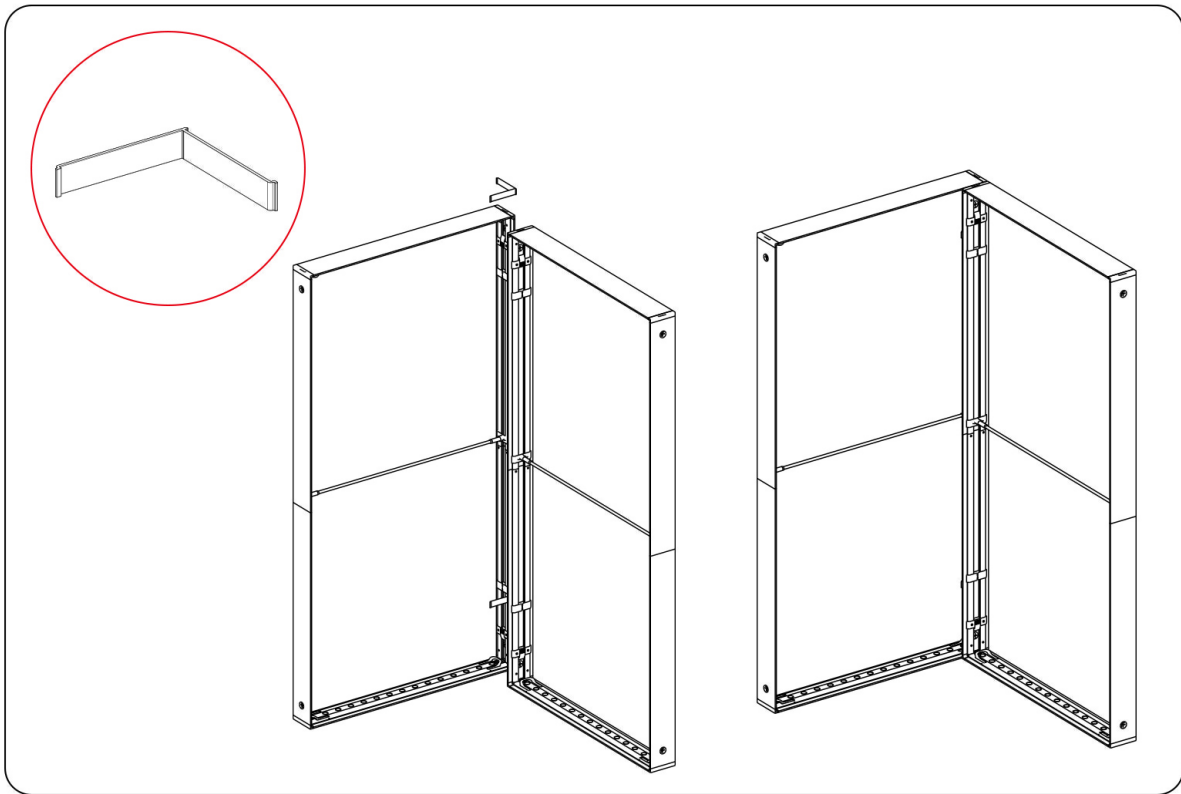


SEGO CONFIGURATION J - 20X10

SEGO MODULAR LIGHTBOX DISPLAY

PRODUCT CODE:SEGO-J-20x10G

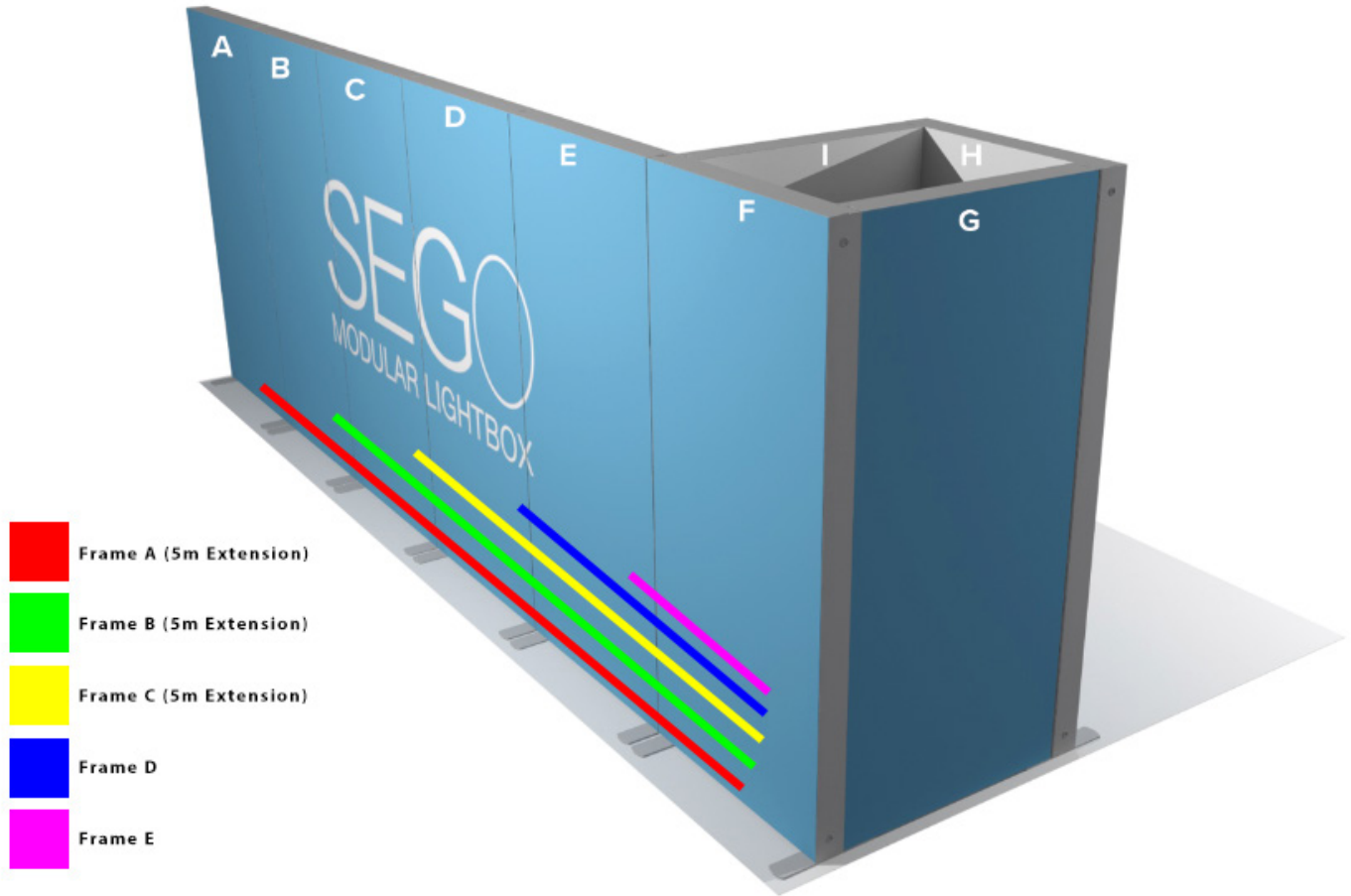
FRAME CONNECTION



SEGO CONFIGURATION J - 20X10

SEGO MODULAR LIGHTBOX DISPLAY
PRODUCT CODE:SEGO-J-20x10G

TRANSFORMER WIRING CONNECTION



**We recommend routing all wiring and transformers towards "room" made from frames F,G,H, & I
Reference diagram above and legend to left on how to route wiring and when to use 5m extension wire**