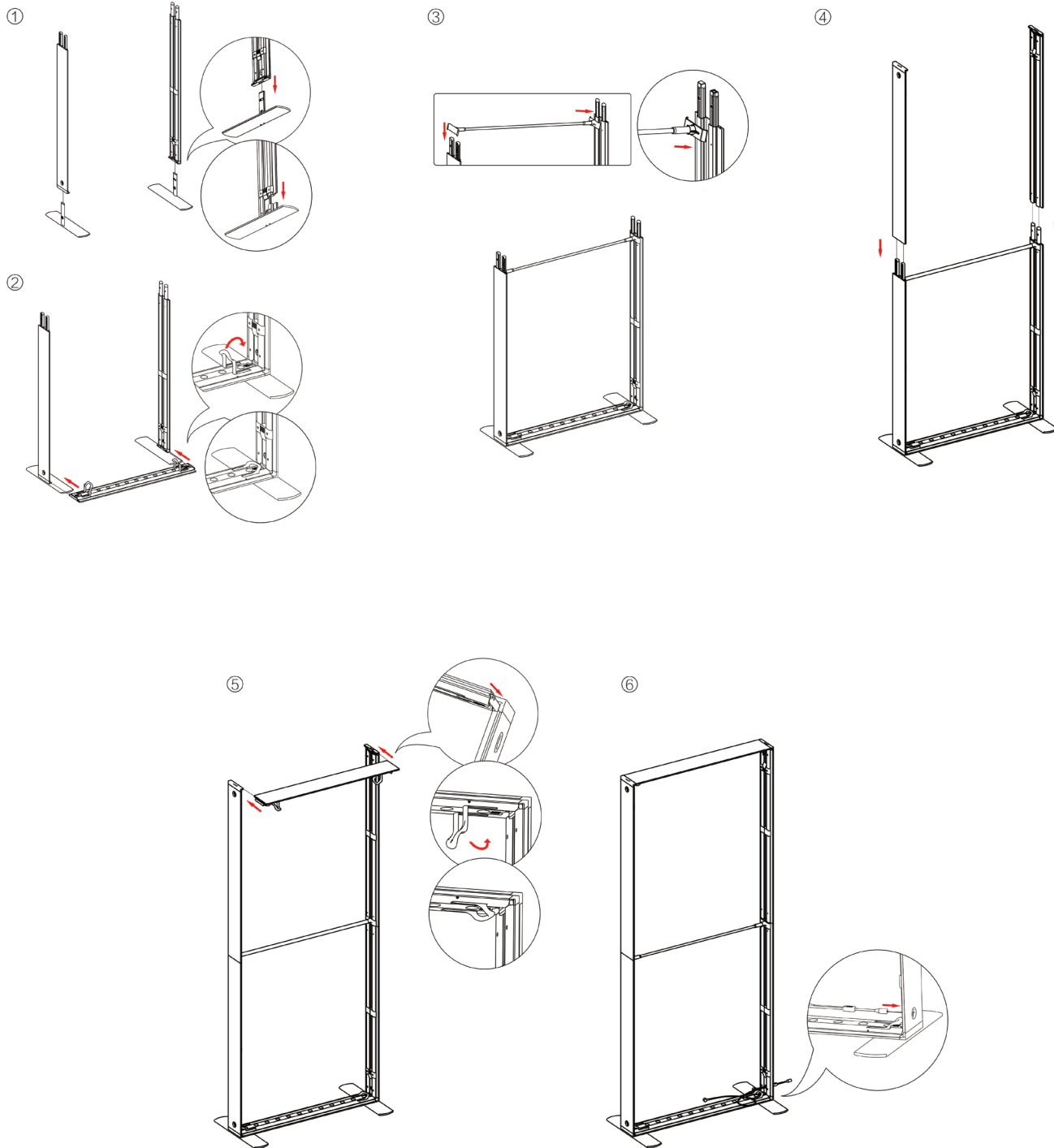


# SEGO CONFIGURATION J - 20X10

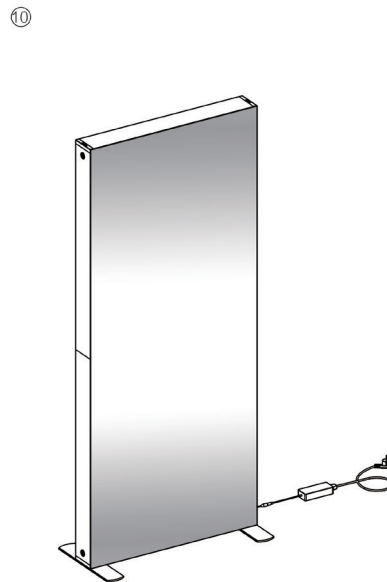
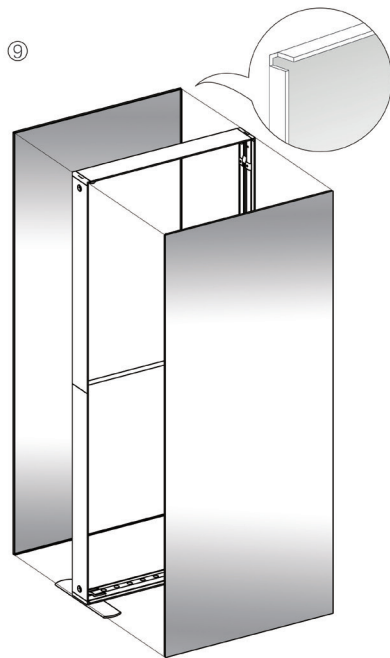
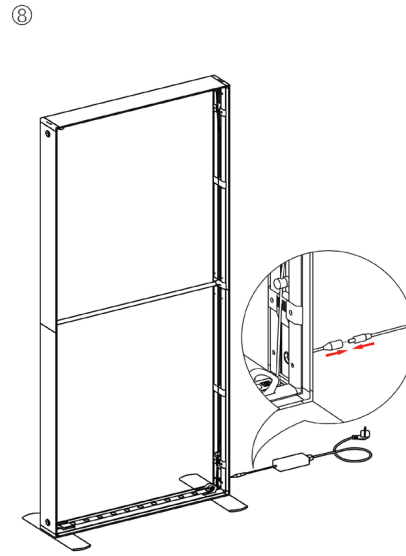
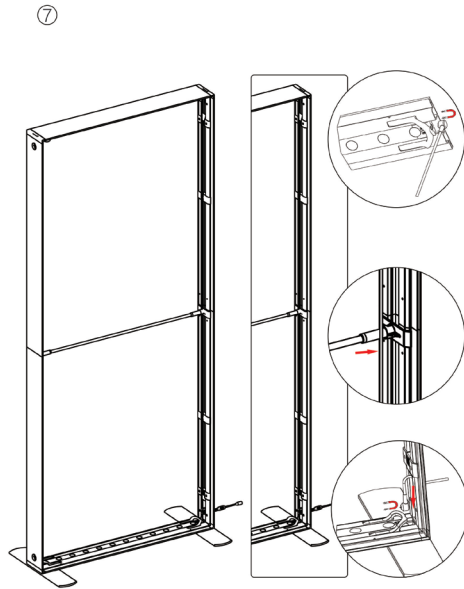
SEGO MODULAR LIGHTBOX DISPLAY  
PRODUCT CODE:SEGO-J-20x10G

## SET UP INSTRUCTIONS SEGO 100X225 FRAME ASSEMBLY



# SEGO CONFIGURATION J - 20X10

SEGO MODULAR LIGHTBOX DISPLAY  
PRODUCT CODE:SEGO-J-20x10G

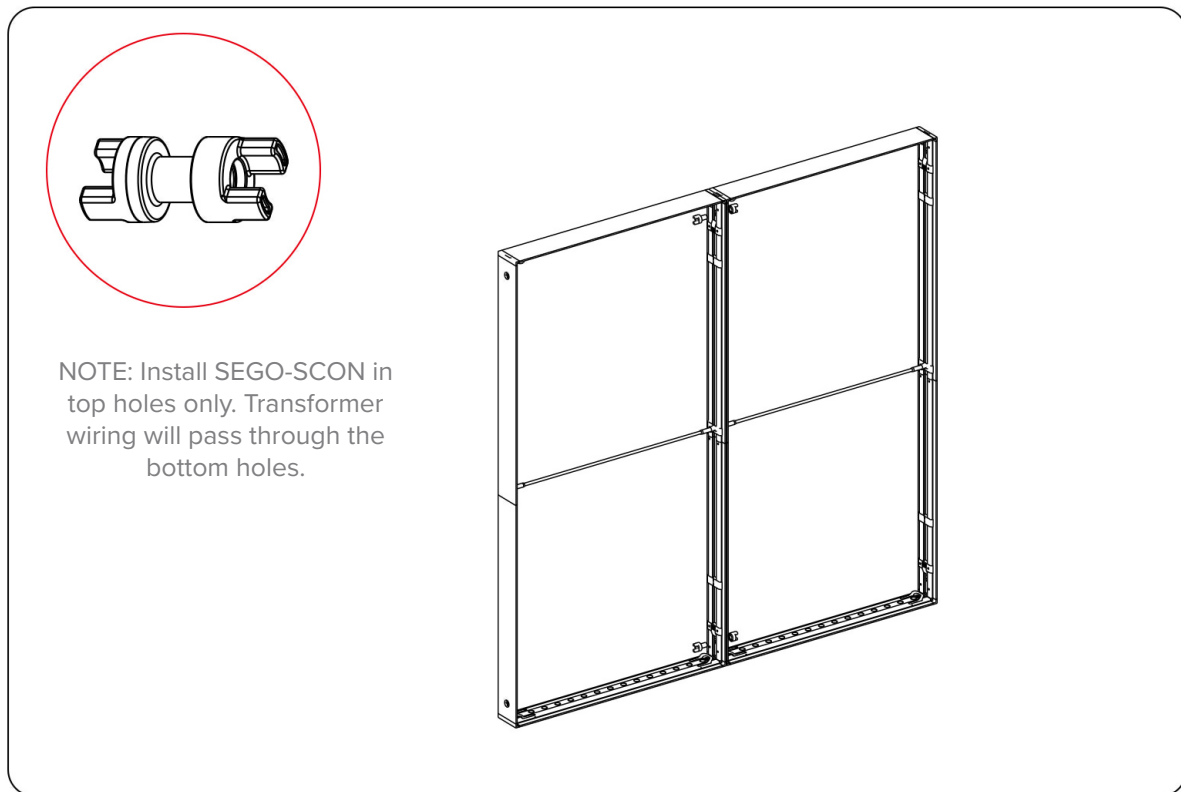
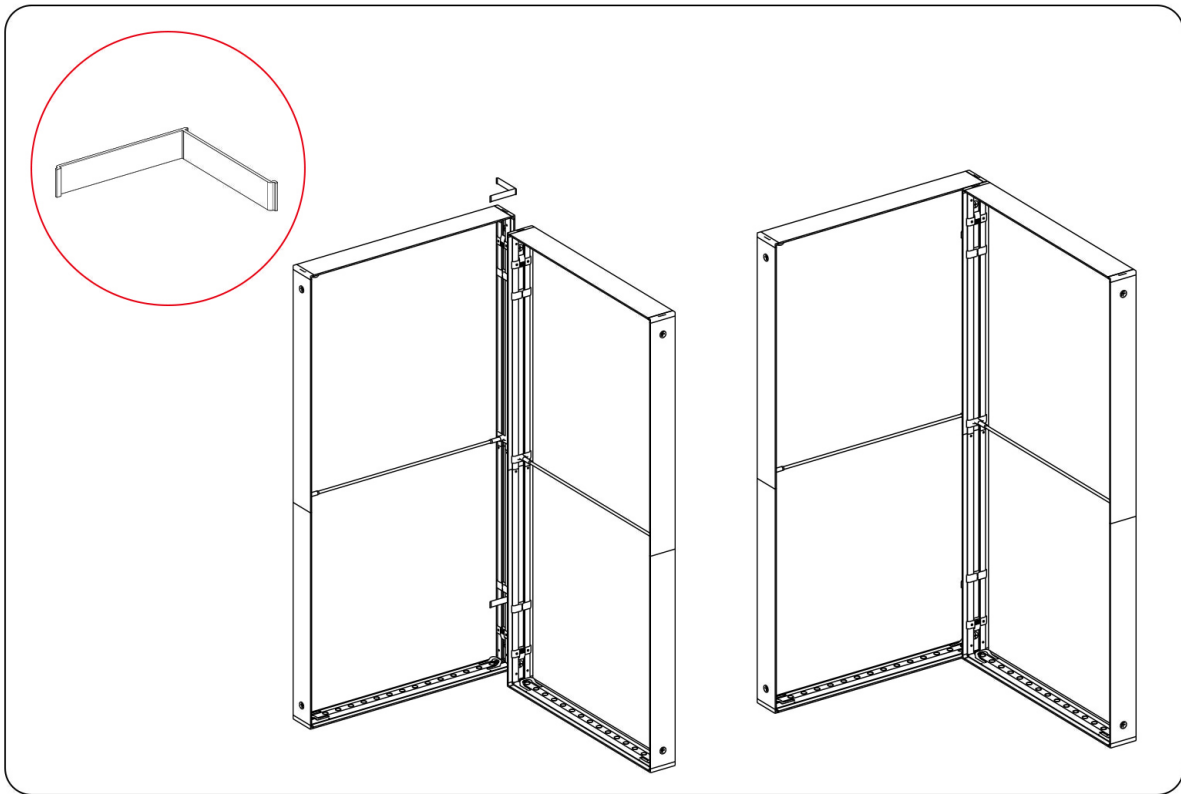


# SEGO CONFIGURATION J - 20X10

SEGO MODULAR LIGHTBOX DISPLAY

PRODUCT CODE:SEGO-J-20x10G

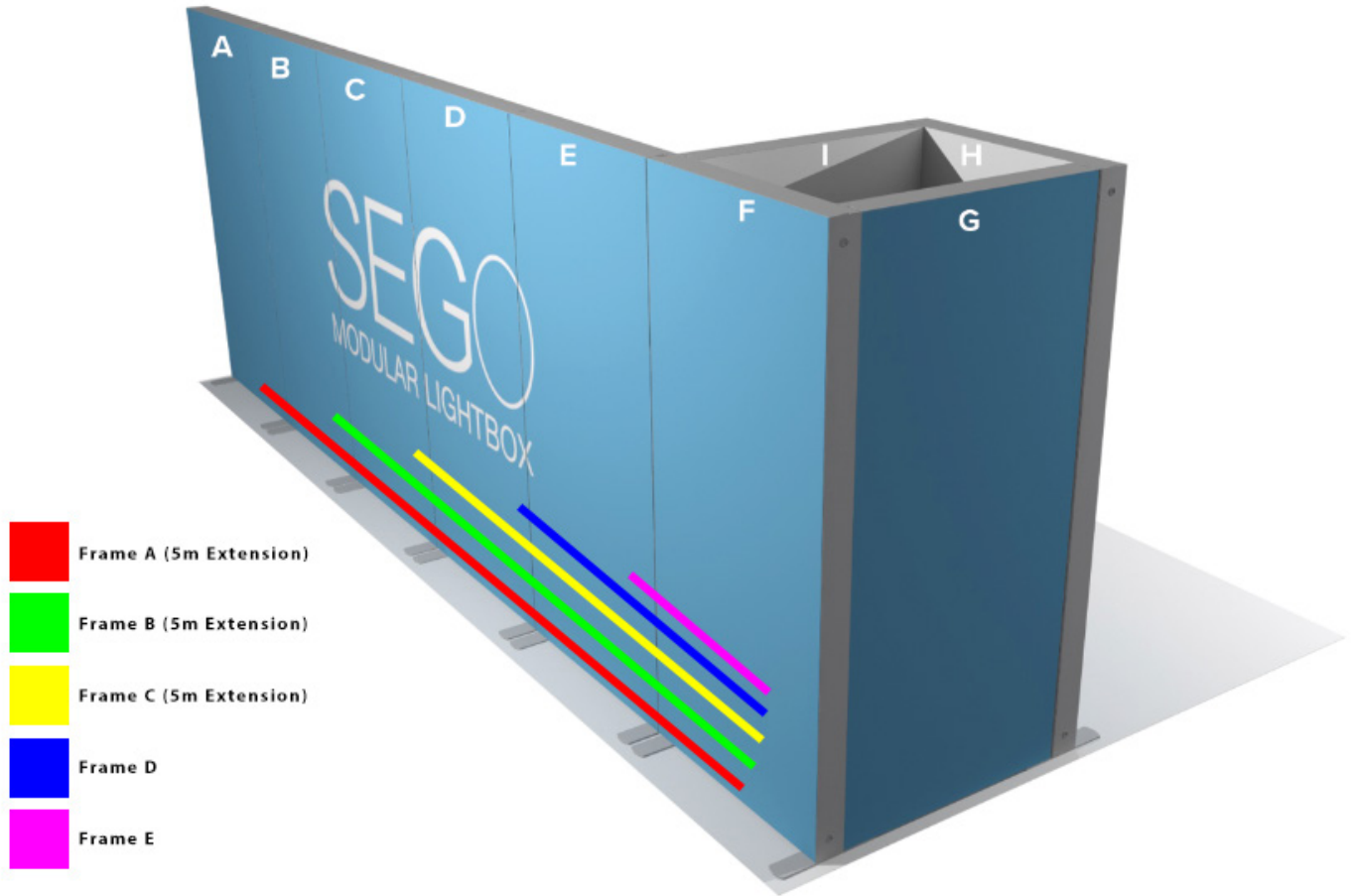
## FRAME CONNECTION



# SEGO CONFIGURATION J - 20X10

SEGO MODULAR LIGHTBOX DISPLAY  
PRODUCT CODE:SEGO-J-20x10G

## TRANSFORMER WIRING CONNECTION



**We recommend routing all wiring and transformers towards "room" made from frames F,G,H, & I  
Reference diagram above and legend to left on how to route wiring and when to use 5m extension wire**