

Freestanding Monitor Kiosk

PM4S3-MK-M
PM4S3-MK-L

PM4S3-MK-M-MSHELF
PM4S3-MK-L-MSHELF

PM4S3-MK-SHELF-UNIT

The Freestanding Monitor Kiosk is a superior multimedia display that can be used for multiple applications, as well as in trade show exhibits and for events. Kiosks include monitor mounts to support a medium or large size TV, and a corresponding medium or large shelf may be added. Monitor mounts support TV's up to 40 lbs and 32" - 70" in size, and can be adjusted to the perfect height; an included shelf can hold up to 15 lbs. The Shelf Unit is a great addition that proudly displays small products. Install the Freestanding line behind a fabric backwall for a truly impressive display.

Freestanding Monitor Kiosk



PM4S3-MK-M
PM4S3-MK-L

Freestanding Monitor Kiosk with Shelf



PM4S3-MK-M-MSHELF
PM4S3-MK-L-MSHELF

Freestanding Shelf Unit



PM4S3-MK-SHELF-UNIT

features and benefits:

- Premium aluminum extrusion frames with cam lock and tension glide assembly
- Easy to store and ship
- Quick to set up
- Weighted feet for added stability
- Kits may include: a medium or large monitor mount, shelf, or combination
- Choice of medium or large monitor mount options (Freestanding Monitor Kiosk with Shelf or Freestanding Shelf)
- Lifetime limited hardware warranty against manufacturer defects

dimensions:

Hardware

Assembled unit (no shelf):
25.59" w x 70.98" h x 25.59" d
650mm(w) x 1803mm(h) x 650mm(d)

Assembled unit (with shelf):
29.53" w x 70.98" h x 25.59" d
751mm(w) x 1803mm(h) x 650mm(d)

Approximate weight:
(excludes cases & monitor mount)

40 lbs / 19 kgs

Add 10 lbs / 5 kgs for each shelf

Shipping

Packing case(s):
1 OCE Case

Shipping dimensions:
OCE: Expandable case length (l) may vary
40" - 66" l x 18" h x 18" d
1016mm-1677mm(l) x 458mm(h) x 458mm(d)

Approximate total shipping weight:
Monitor Kiosk:
(Case & monitor mount)
Medium
83 lbs / 38 kgs
Large
85 lbs / 39 kgs

additional information:

-Medium monitor mount can hold 32-55" monitor/ max weight 40lbs

-Large monitor mount can hold 37"-70" monitor/ max weight 40lbs

-Monitor not included

-Shelf can hold suggested max weight: 15 lbs

-If shipping with backwall kit cases may vary

Monitor Kiosk with Shelf:
(Case, monitor mount, & shelf)

Medium
93 lbs / 43 kgs
Large
95 lbs / 44 kgs

Shelf Unit:
(Case & shelves)
116 lbs / 53 kgs

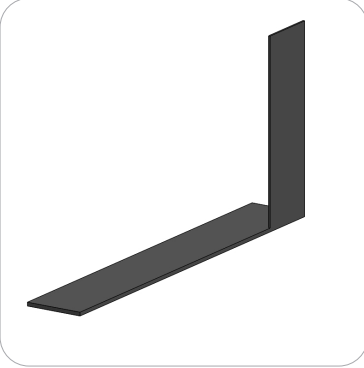
We are continually improving and modifying our product range and reserve the right to vary the specifications without prior notice. All dimensions and weights quoted are approximate and we accept no responsibility for variance. E&OE. See Graphic Templates for graphic bleed specifications.

Included In Your Freestanding Monitor Kiosk

Tools, Components, Connectors & Extrusions



5MM ALLEN-T x1



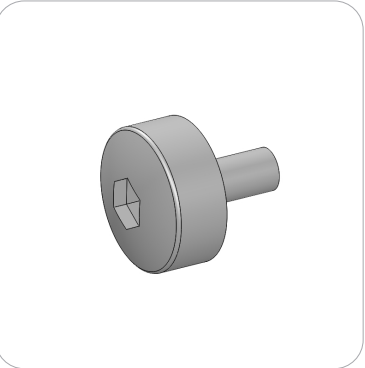
PM4S3-MM-FOOT-L x1



PM4S3-MM-FOOT-R x1



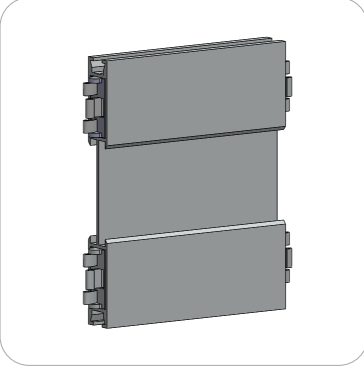
LN100 x6



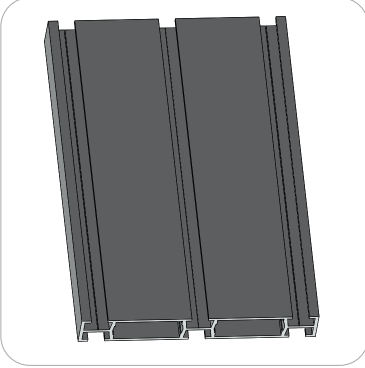
M5 THUMBSCREW x8



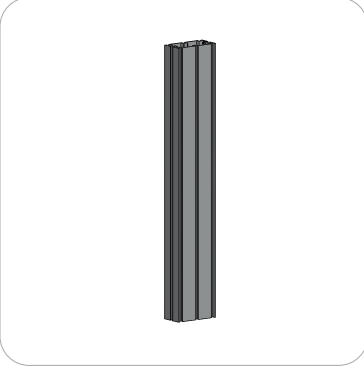
PH2-350-L-L x3



PH5-100-L-L x2



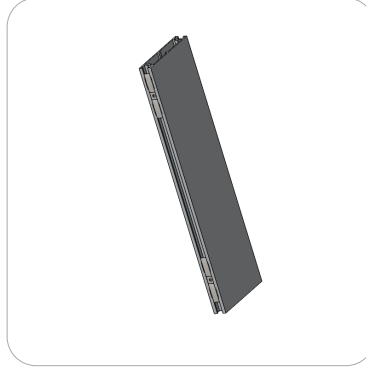
PM4S4-150 x2



PM4S3-600-A165-A165 x2



PM4S3-1200-A165-A165 x2



PH2-300-TG x2



EXT-M-MB (or) EXT-LG-MB x1
Fastening Hardware Included



CBE-50 x2

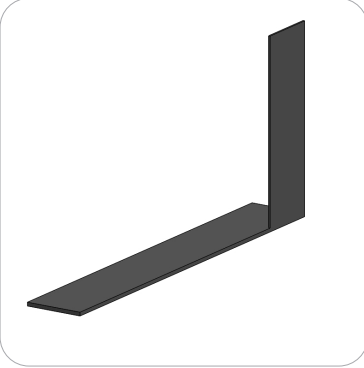


Included In Your Freestanding Monitor Kiosk with Shelf

Tools, Components, Connectors & Extrusions



5MM ALLEN-T x1



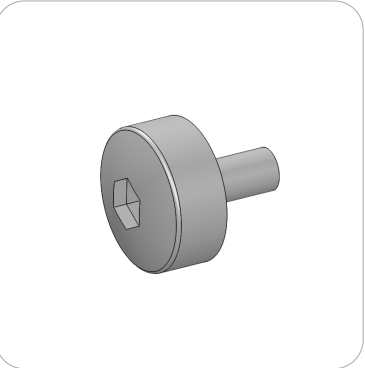
PM4S3-MM-FOOT-L x1



PM4S3-MM-FOOT-R x1



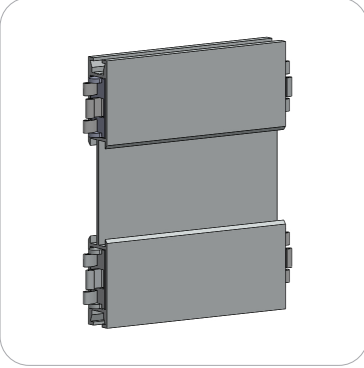
LN100 x6



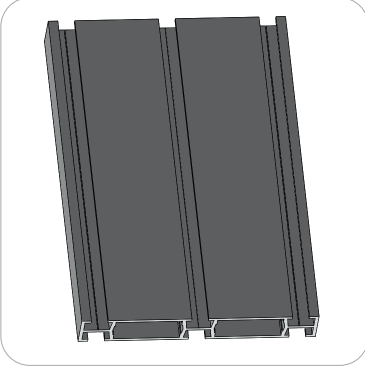
M5 THUMBSCREW x8



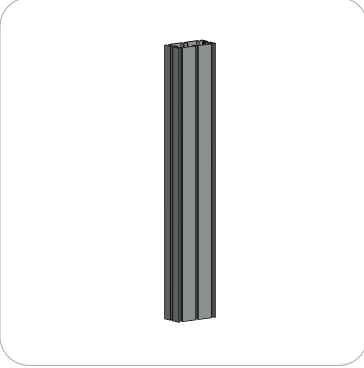
PH2-350-L-L x3



PH5-100-L-L x2



PM4S4-150 x2



PM4S3-600-A165-A165 x2



PM4S3-1200-A165-A165 x2



PH2-300-TG x2



EXT-M-MB (or) EXT-LG-MB x1
Fastening Hardware Included

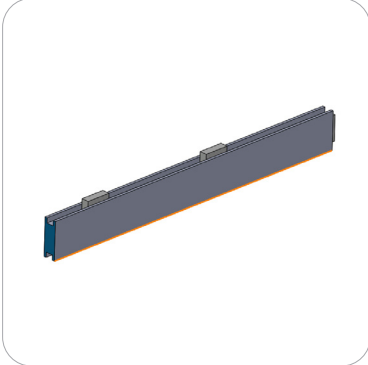


CBE-50 x4

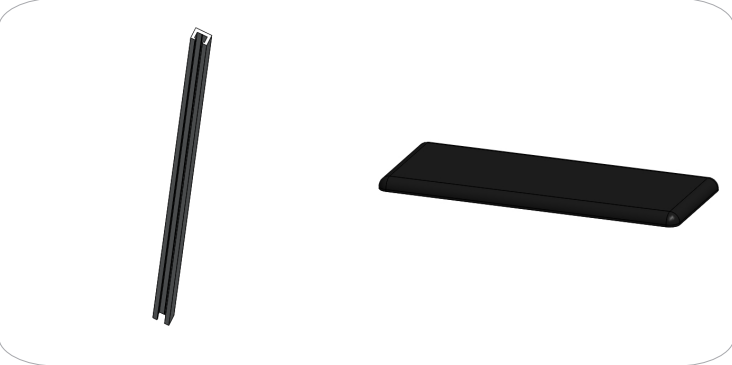


Included In Your Freestanding Monitor Kiosk with Shelf

Components, Connectors & Extrusions



PH-400-L-SIDE-MK x2



PE-1200 x2
*will ship preattached to shelf



CT21-MK-SHELF x1



LN605-EN x2

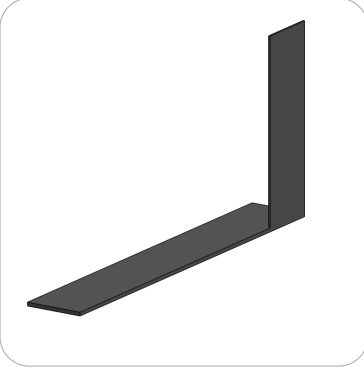


Included In Your Freestanding Shelf

Tools, Components, Connectors & Extrusions



5MM ALLEN-T x1



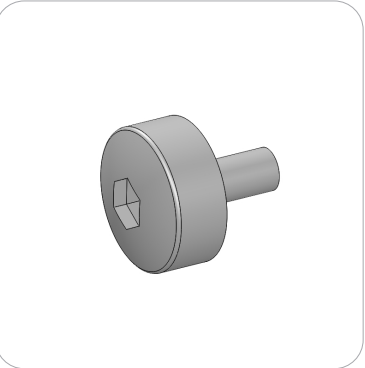
PM4S3-MM-FOOT-L x1



PM4S3-MM-FOOT-R x1



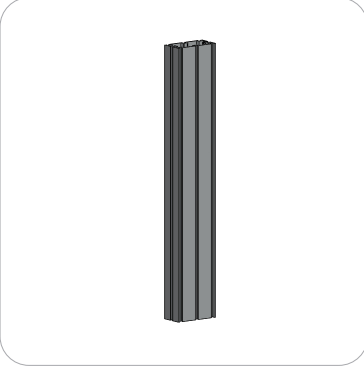
LN100 x6



M5 THUMBSCREW x8



PH2-350-L-L x3



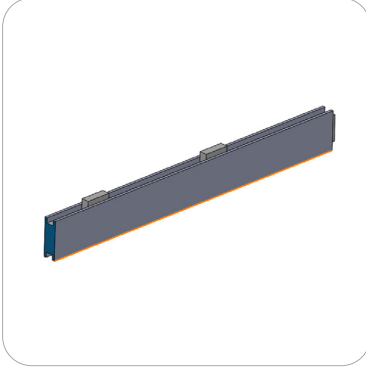
PM4S3-600-A165-A165 x2



PM4S3-1200-A165-A165 x2



PH2-300-TG x2



PH-400-L-SIDE-MK x6



PE-1200 x6
*will ship preattached to shelf



CT21-MK-SHELF x3



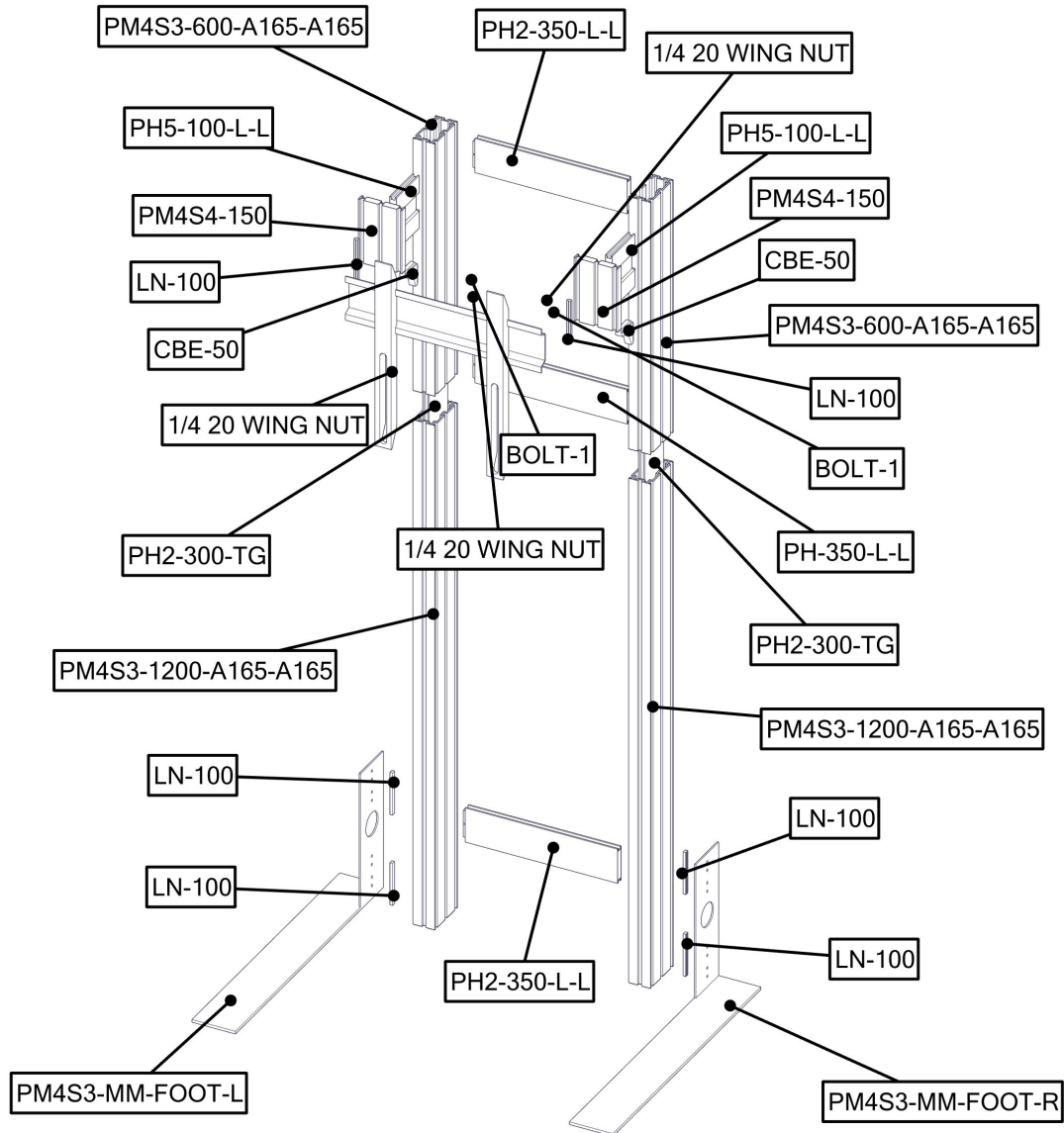
LN605-EN x6



Exploded View

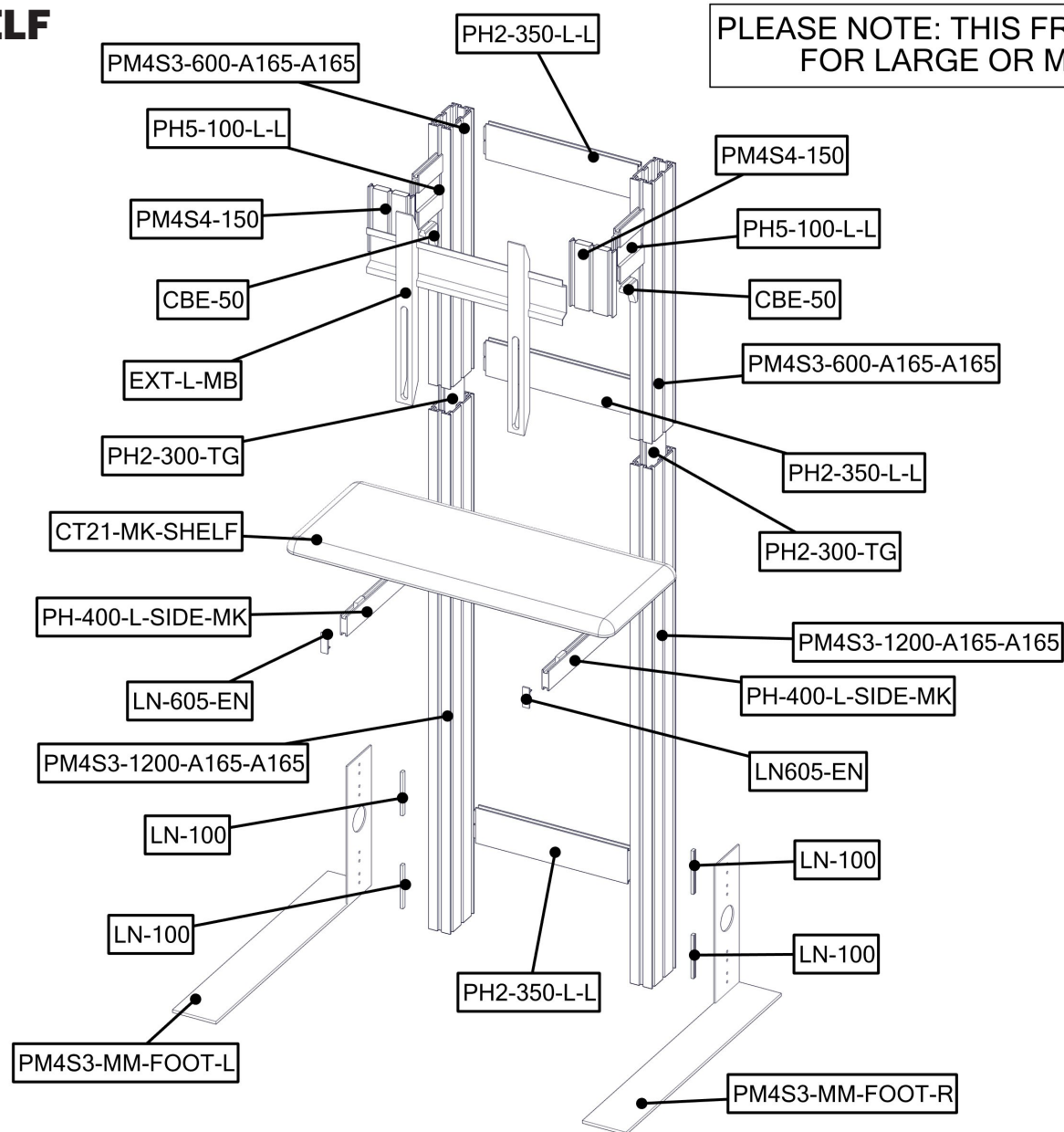
PM4S3-MK-M PM4S3-MK-L

Please note:
This is the kiosk frame build for
either medium or large kit.



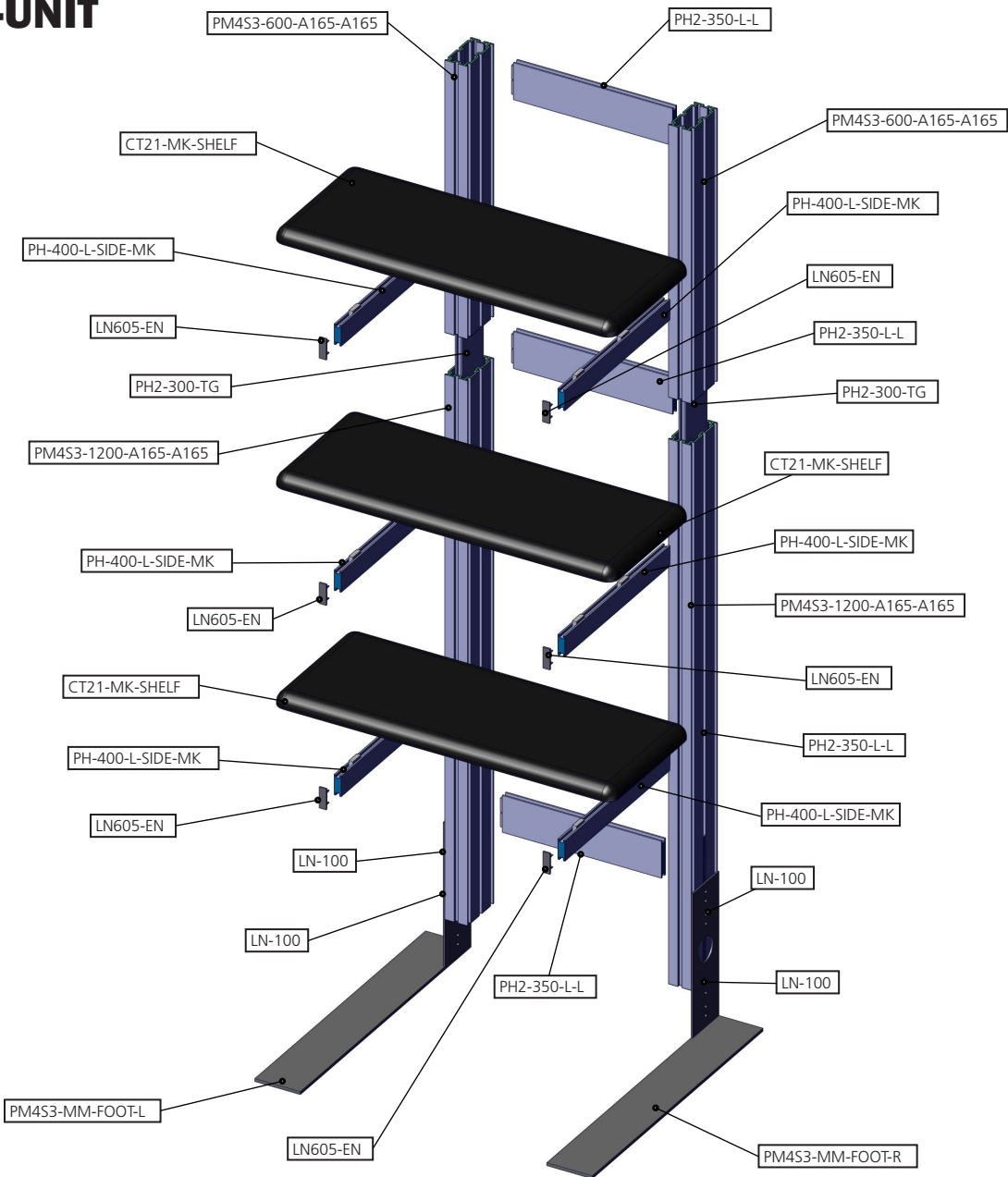
Exploded View

PM4S3-MK-M-MSHELF PM4S3-MK-L-MSHELF



Exploded View

PM4S3-MK-SHELF-UNIT

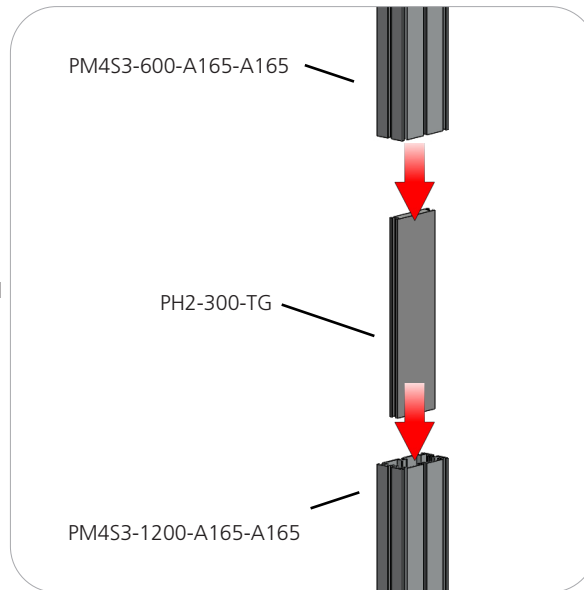


Kit Assembly

Step by Step

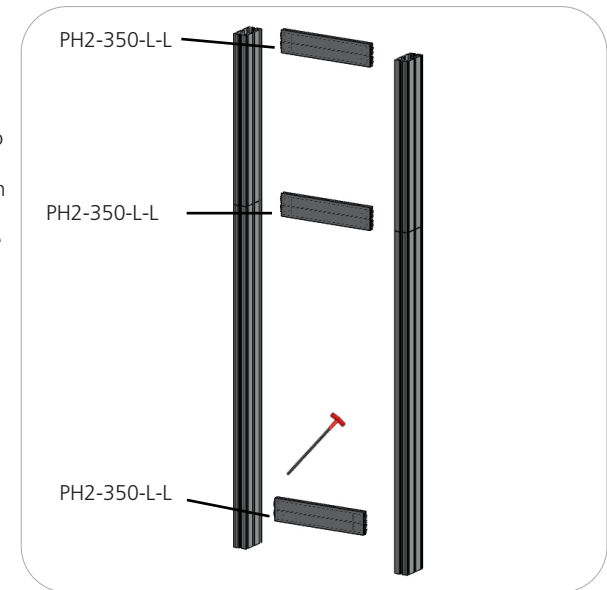
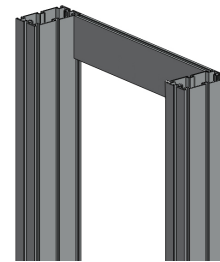
Step 1.

Reference the image to the right. Locate the coded extrusions. Slide the PH2-300-TG connector into one end of the PM4S3-1200-A165-A165 so that it goes as deep as the internal pins. Connect the PM4S3-600-A165-A165 by sliding it over the PH2-300-TG. Repeat for this step for the second vertical.



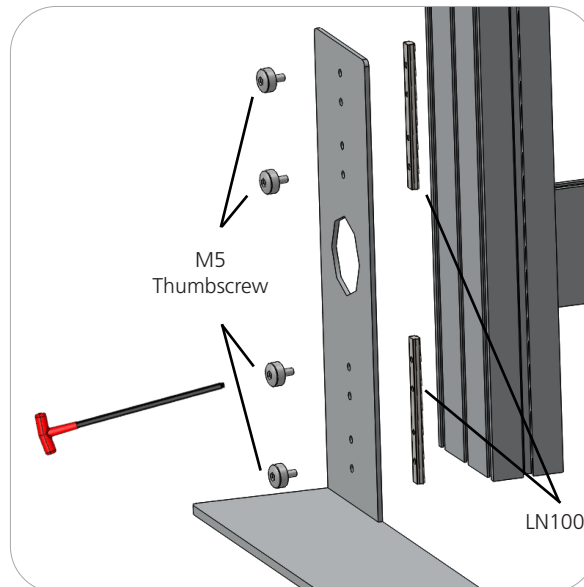
Step 2.

Collect your extrusions and handtool. Using the provided handtool, lock the extrusions into the back channel of the three channel PM4S3 faces as shown in the image below. Be sure the locks face toward the back of the assembly and do not over tighten.



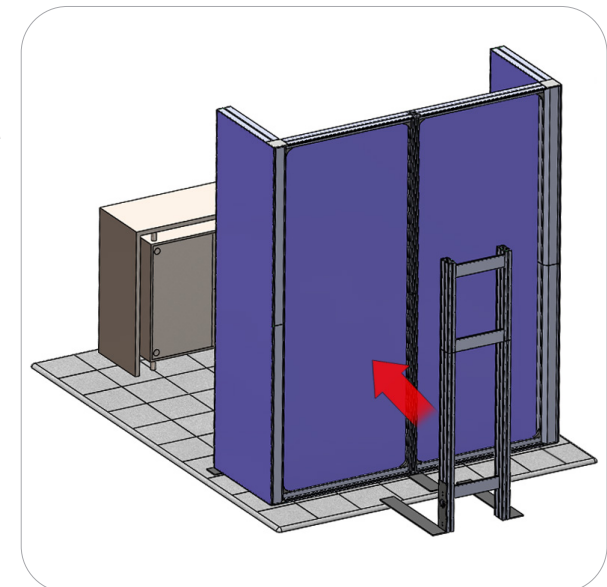
Step 3.

Locate the M5 thumbscrews, LN100s, and the PM4S3-MM stabilizing bases. Slide the LN100s into the middle channel of the PM4S3. Hand screw the M5 thumbscrews through the base holes and into the LN100 holes. Use the handtool to securely fasten the M5 Thumbscrews. Do not over tighten.



STOP

Orbus recommends that you move your kiosk(s) in place before continuing on with the rest of assembly.



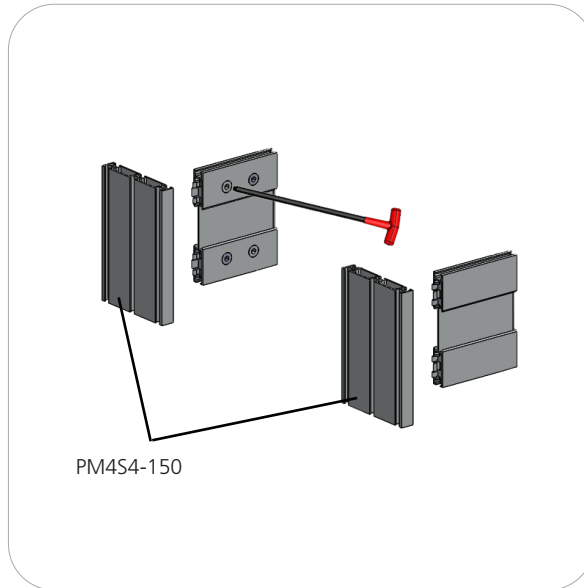
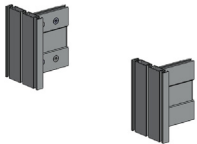
Kit Assembly

Step by Step - Monitor Mount

Step 4.

This step is for kiosks with monitor mounts. Skip to step 7 for shelf kiosks.

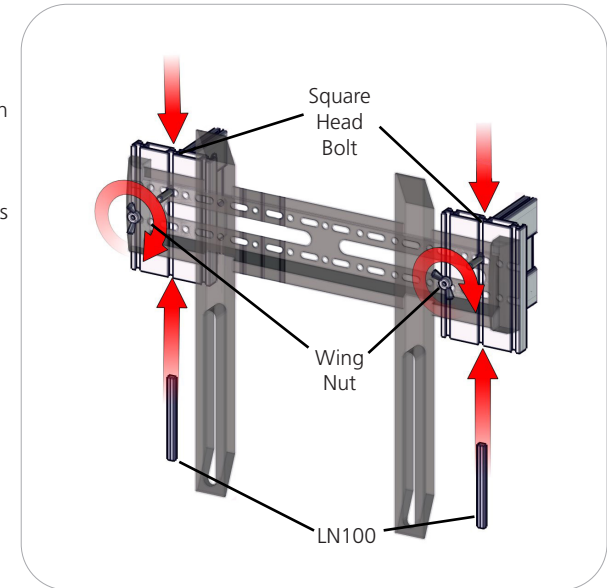
Measure from the ground to the center of the hole in your main kit's graphic. Lock the center of your PH5-100-L-L into the PM4S3 stacks at the dimension height of the graphic hole, ADD CBE-50 for support under PH5. Do not over tighten.



Step 5.

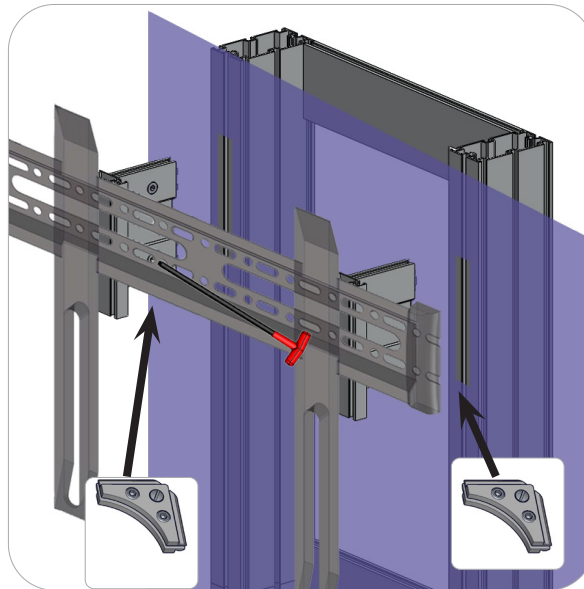
NOTE: Your main backwall assembly must be completed with graphics before completing this step of the monitor kit.

Lock your PM4S4-150 to the ends of the PH5-100-L-L. Do not over tighten.



Step 6.

Set your monitor stand so that the extrusion arms fit through the graphic hole. Use the provided fastening hardware to complete your monitor stand. Slide the LN100 into the bottom center channel of the PM4S4-150. Next, slide the Square Head Bolt into the top center channel of the PM4S4-150. Apply the monitor bracket and spacer washer before fastening with the wingnut. Monitor mount may vary depending on size. Monitor not included.



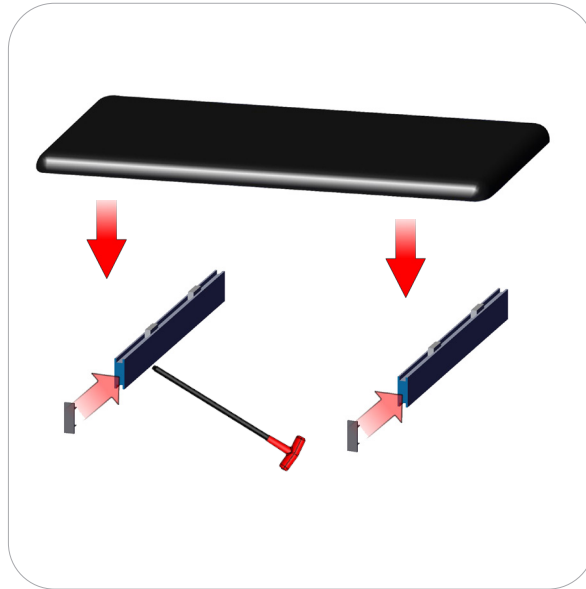
**ATTACH CBE-50 UNDER
PH5 FOR SUPPORT**

Kit Assembly

Step by Step - Shelf

Step 7.

Insert the LN605-EN end caps. Lock the CT21-MK-SHELF to the PH-400-L-SIDE-MK. Do not over tighten.



Step 8.

Lock your PH-400-L-SIDE-MK into the PM453 stacks at the desired dimension height. Do not over tighten.

Refer to the attached supplemental sheet for details on shelf height(s).

Setup is complete.

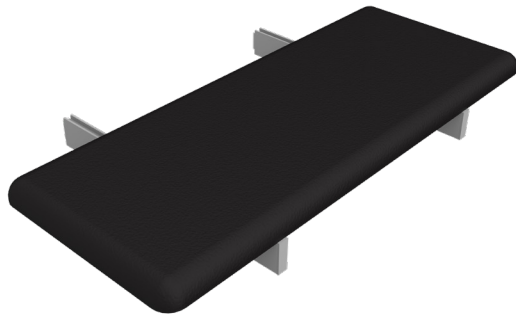
Repeat steps 7 and 8 twice more for Shelf Unit.



Freestanding Display Shelf

PM4S3-MK-SHELF

Freestanding display shelves are easily attached to your assembled kiosk for displaying promotional materials. This shelf can be added to a Freestanding Monitor Kiosk order.



features and benefits:

- Premium aluminum extrusion frames with cam lock and tension glide assembly
- Easy to store and ship
- Quick to set up
- Lifetime limited hardware warranty against manufacturer defects
- Great for display opportunities

dimensions:

Hardware

Assembled unit:
Medium or Large

29.53" w x 6.35" h x 15.87" d
751mm(w) x 162mm(h) x 404mm(d)

Approximate weight (shelf):
10 lbs / 5 kgs

Shipping

Ships in box

Shipping dimensions:
Special order - 30" (l) x 16" (h) x 4" (d)
762mm(l) x 407mm(h) x 102mm(d)

Approximate total shipping weight:
12 lbs / 6 kgs

additional information:

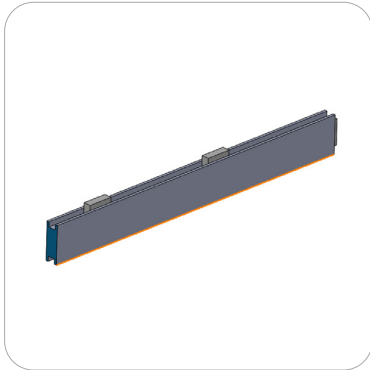
-Shelf can hold suggested max weight 15lbs

-If shipping with backwall kit cases may vary

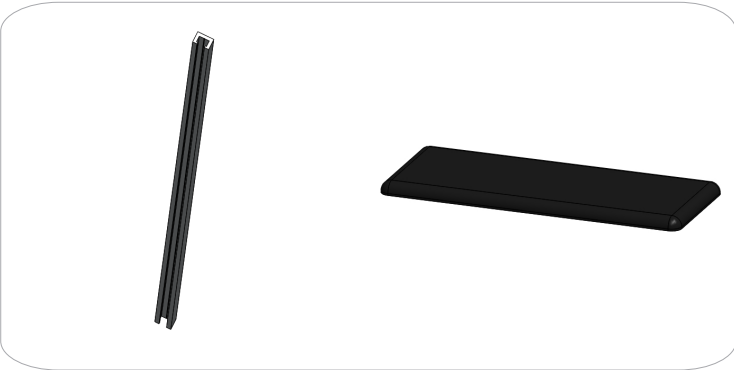
We are continually improving and modifying our product range and reserve the right to vary the specifications without prior notice. All dimensions and weights quoted are approximate and we accept no responsibility for variance. E&OE. See Graphic Templates for graphic bleed specifications.

Included In Your Freestanding Display Shelf

Components, Connectors & Extrusions



PH-400-L-SIDE-MK x2



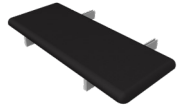
PE-1200 x2
*will ship preattached to shelf



CT21-MK-SHELF x1

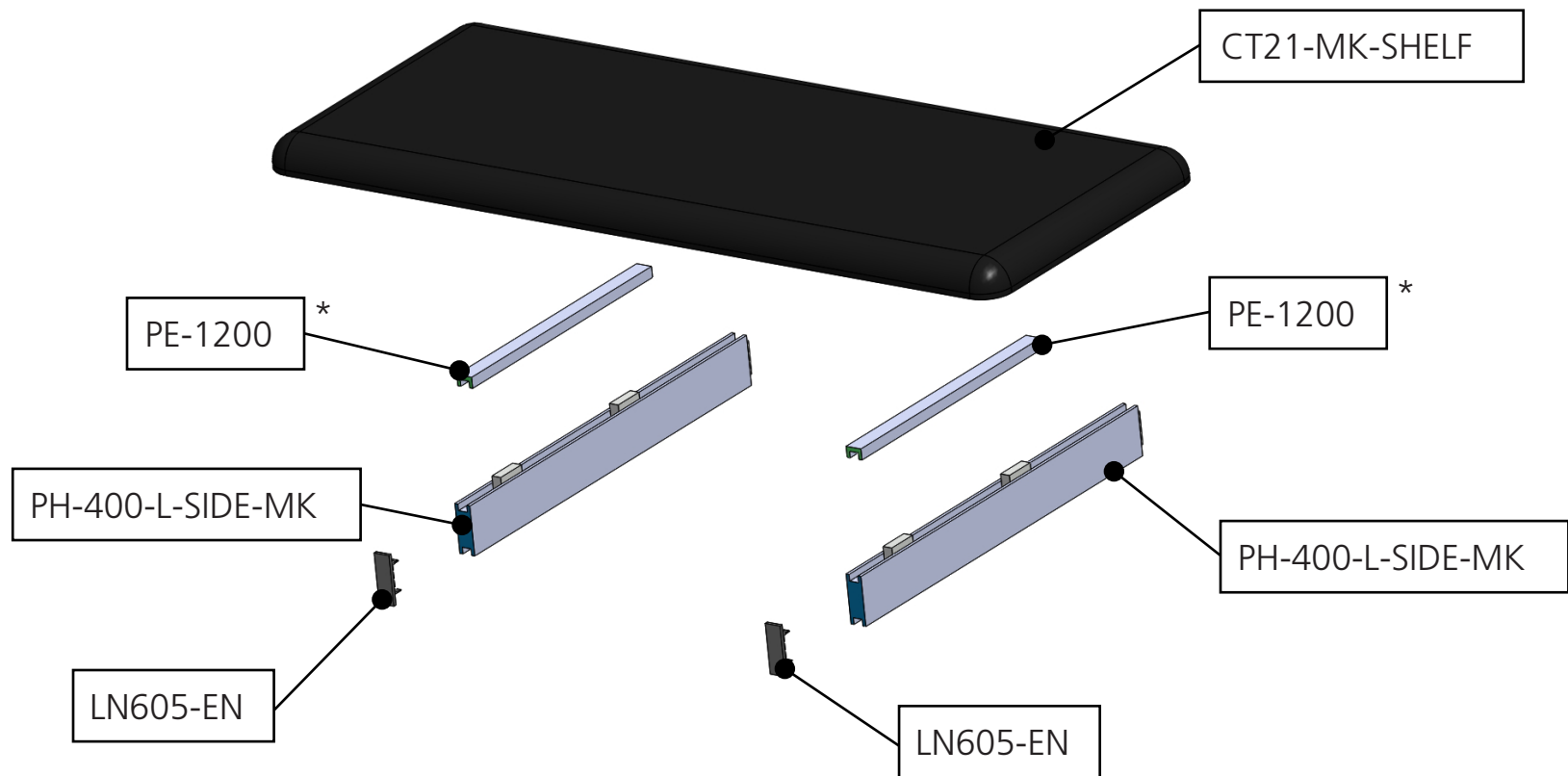


LN605-EN x2



Exploded View

PM4S3-MK-SHELF



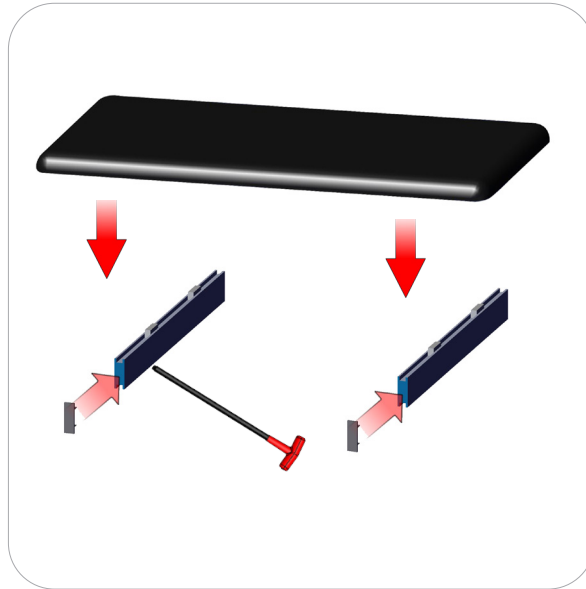
*Note: PE will ship preattached to shelf

Kit Assembly

Step by Step - Shelf

Step 8.

Insert the LN605-EN end caps. Lock the CT21-MK-SHELF to the PH-400-L-SIDE-MK. Do not over tighten.



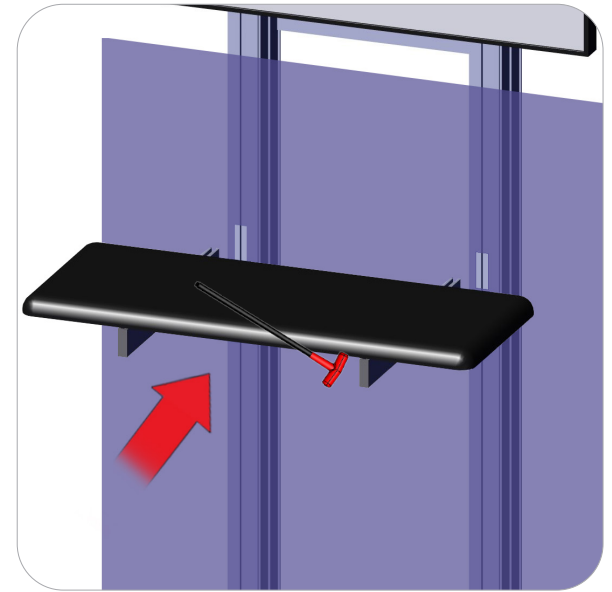
Step 7.

Lock your PH-400-L-SIDE-MK into the PM453 stacks at the desired dimension height. Do not over tighten.

Refer to the attached supplemental sheet for details on shelf height(s).

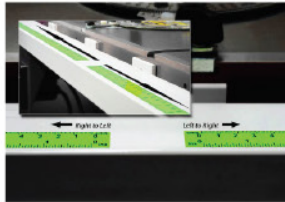
Setup is complete.

Repeat steps 7 and 8 twice more for Shelf Unit.



Location of vinly adhesive tape
Tape color-**CLEAR**

Indicator shown in green to show detail



TORQUATA
Self-Adhesive Measuring
Tape

Note: tape comes preattached to extrusion,
0" starts from the bottom (at the floor)

