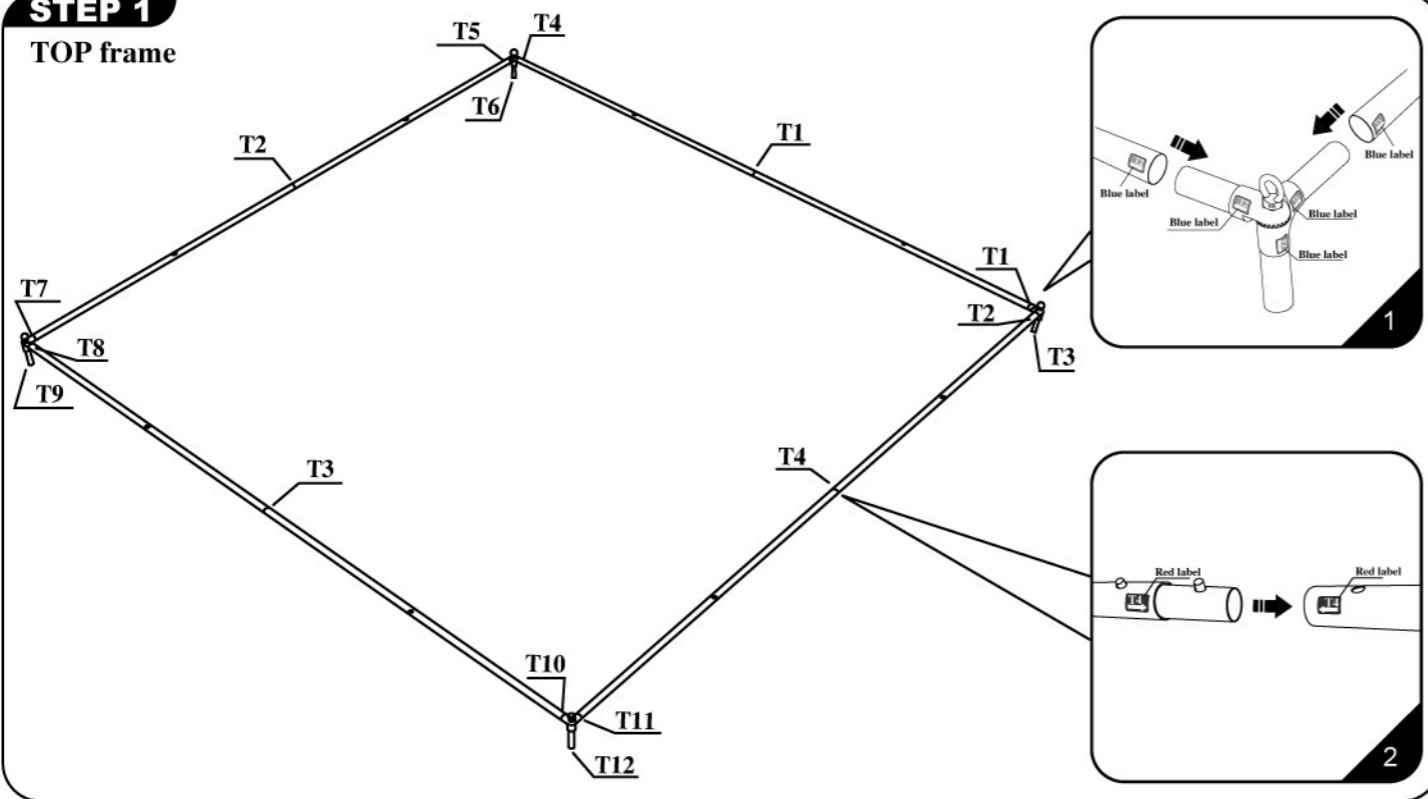


SQUARE INSTALLATION STEPS

Modern appearance, high quality, practical, flexible for multiple uses Carry Cases and Spotlights are available as accessories Fast and easy to alter graphics

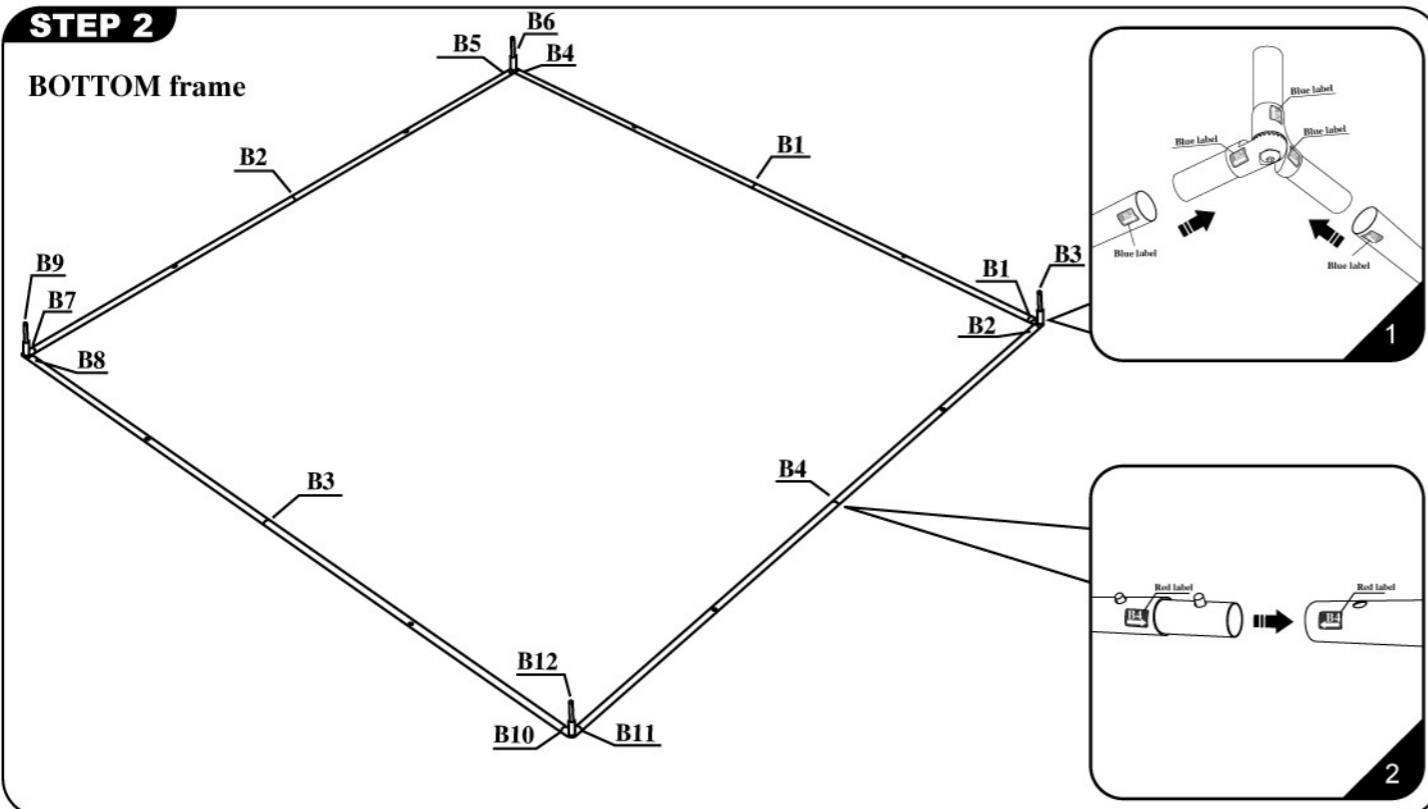
STEP 1

TOP frame



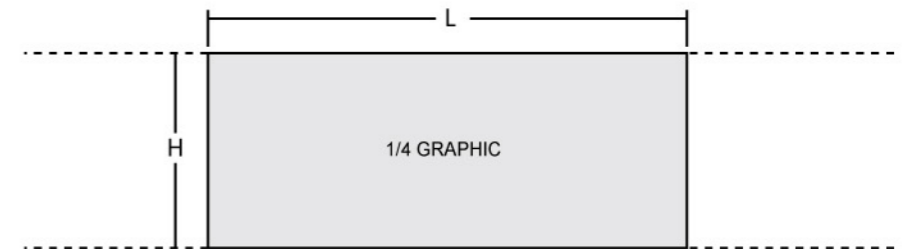
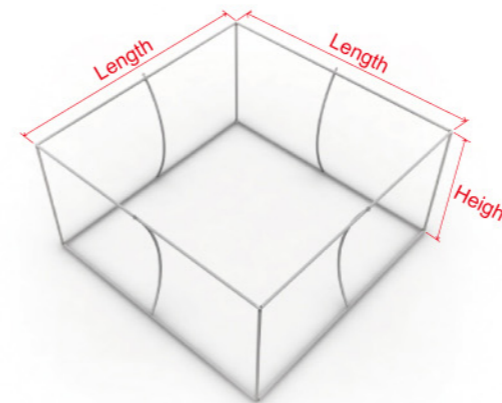
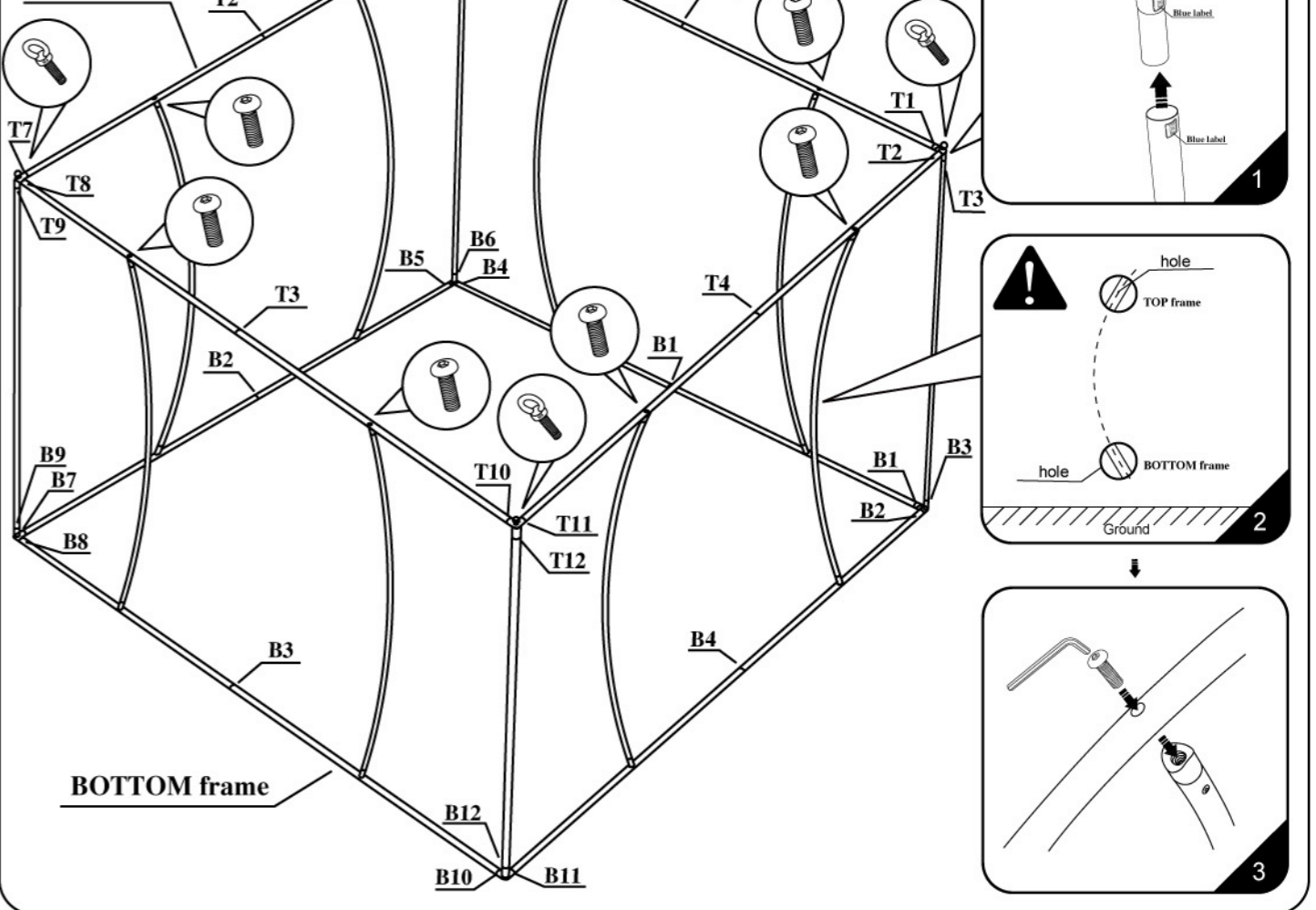
STEP 2

BOTTOM frame



STEP 3

TOP frame



Frame Size: 8'(2438mm).L x 3.5'(1067mm).H
16'(4877mm).L x 4'(1219mm).H
20'(6096mm).L x 4'(1219mm).H

1/4 Graphic Size: 2438mm.L X 1067mm.H
4877mm.L X 1219mm.H
6096mm.L X 1219mm.H

NEXT PAGE



CAUTION:
PLEASE READ THE INSTRUCTIONS BEFORE INSTALLING PRODUCT