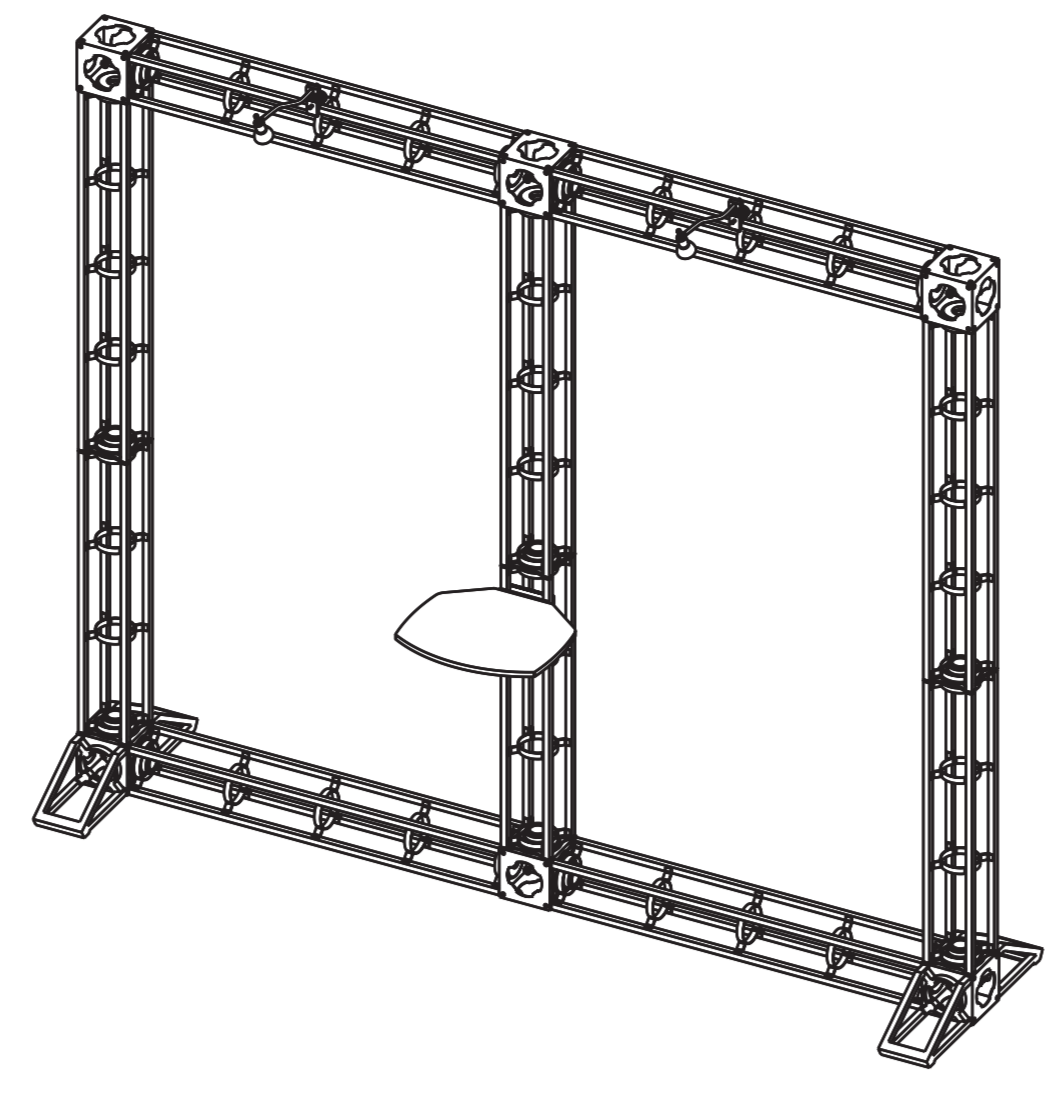


# Hercules 9 10' x 10' Truss System UV Printed

---



Panel HC09-1 and HC09-2:  
Total Graphic Area: 48.75" w x 84.75" h  
Finished Size: 47.75" w x 83.75" h

Template requires 1/2" bleed around  
the perimeter

FS = Graphic is front side mounted  
(3/4" w magnet is applied to the back  
of the panel)

BS = Graphic is back side mounted  
(3/4" w velcro is applied to the front  
of the panel)

Notching = 7/8" square that is cut into the  
appropriate location.

Hinging = 3/4" strip of material that is cropped  
from the panel and reapplied with hinge tape.

Allows two graphics to share the same  
extrusion corner.

## General Art Guidelines:

- CMYK Color Mode
- All Solid Coated Pantone colors should  
be called out in the art as spot colors
- Embed all images and support files
- Resolution must be 100-120ppi
- All fonts must be created to outlines
- Do not scale artboard
- Background color/images must  
bleed to the edge of artboard
- Do not use spot colors from template  
in your artwork as they will not print

# BS

# OR-G-HC09-1

panel is notched  
on bottom  
left

- bleed area
- trim line

# **BS**

## **OR-G-HC09-2**

panel is notched  
on bottom  
right

gray area will  
be obstructed  
once finished  
and mounted