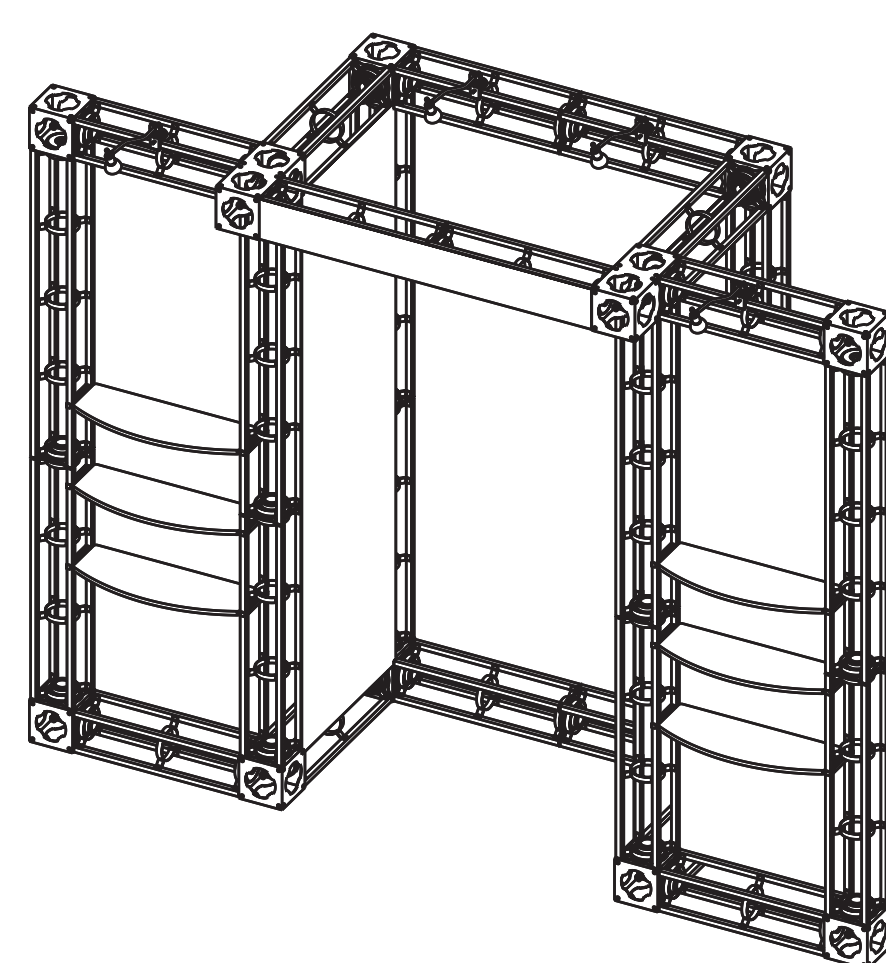


Eros
10' x 10' Truss System
Dye Sub Printed



Panels ER1 and ER5:
Total Graphic Area: 29.75" w x 87.75" h
Finished Size: 25.75" w x 83.75" h
Visual Size: 23.75" w x 81.75" h

Panels ER2 and ER4:
Total Graphic Area: 29.75" w x 87.75" h
Finished Size: 25.75" w x 83.75" h
Visual Size: 25.75" w x 83.75" h

Panel ER3:
Total Graphic Area: 53.75" w x 87.75" h
Finished Size: 49.75" w x 83.75" h
Visual Size: 47.75" w x 81.75" h

Panel ER6:
Total Graphic Area: 52" w x 10" h
Finished Size: 48" w x 6" h
Visual Size: 48" w x 6" h

Template requires 2" bleed
around the perimeter

FS = Graphic is front side mounted
(3/4" w velcro is applied to the back
of the panel)

BS = Graphic is back side mounted
(3/4" w velcro is applied to the front
of the panel)

Notching = 7/8" square that is cut into the
appropriate location.

Hinging = 3/4" strip of material that is created
by notching the graphic. Allows two graphics
to share the same extrusion corner.

General Art Guidelines:

- CMYK Color Mode
- All Solid Coated Pantone colors should
be called out in the art as spot colors
- Embed all images and support files
- Resolution must be 100-120ppi
- All fonts must be created to outlines
- Do not scale artboard
- Background color/images must
bleed to the edge of artboard
- Do not use spot colors from template
in your artwork as they will not print

BS
OR-G-ER1

panel is notched
on top and bottom
right corners

— bleed area

— trim line

FS

OR-G-ER2

panel is notched
on top and bottom
right corners

BS
OR-G-ER3

FS

OR-G-ER4

panel is notched
on top and bottom
left corners

BS
OR-G-ER5

panel is notched
on top and bottom
left corners

gray area will
be obstructed
once finished
and mounted

FS OR-G-ER6